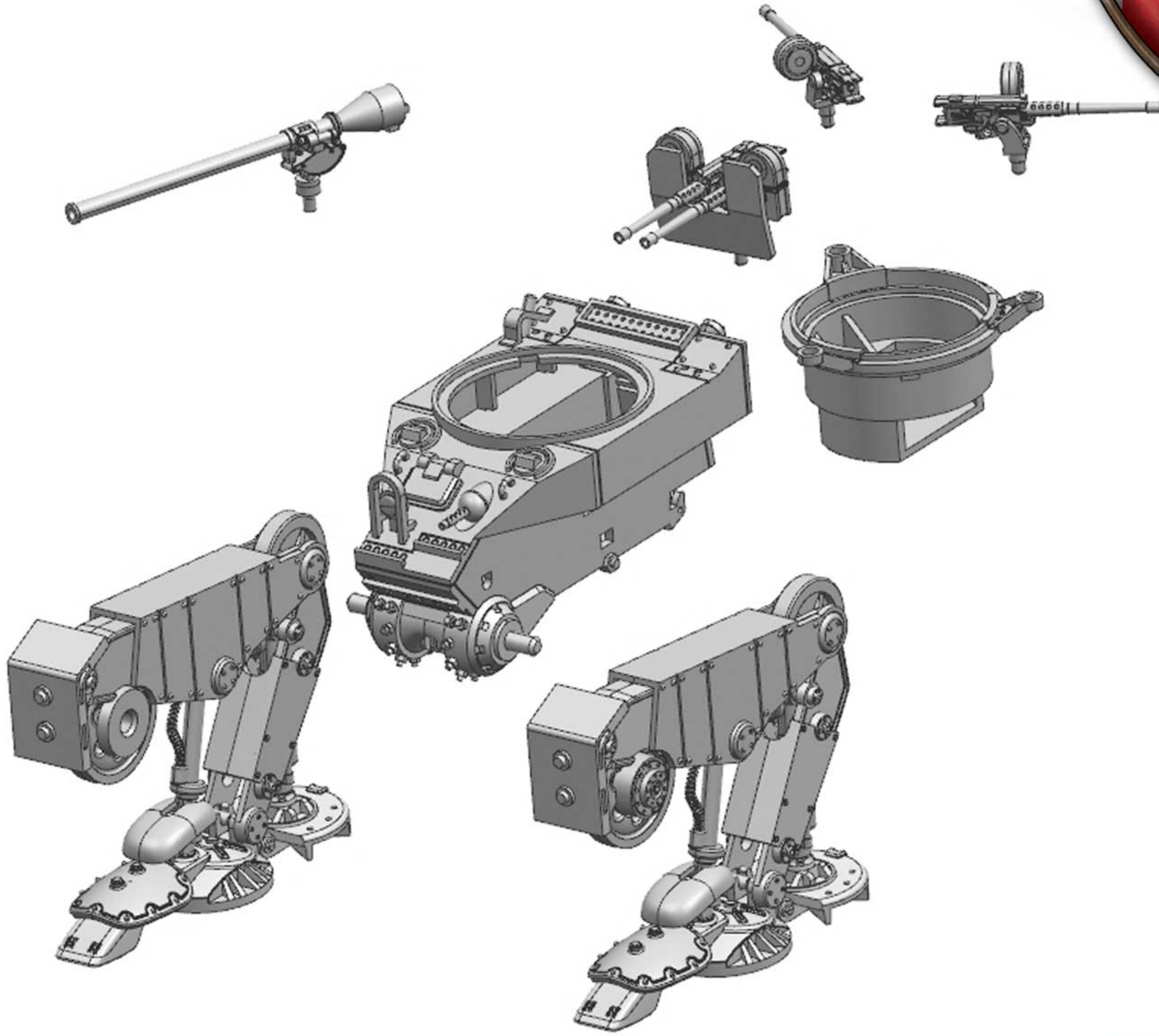


# RECON MICKEY II AND III ASSEMBLY INSTRUCTIONS



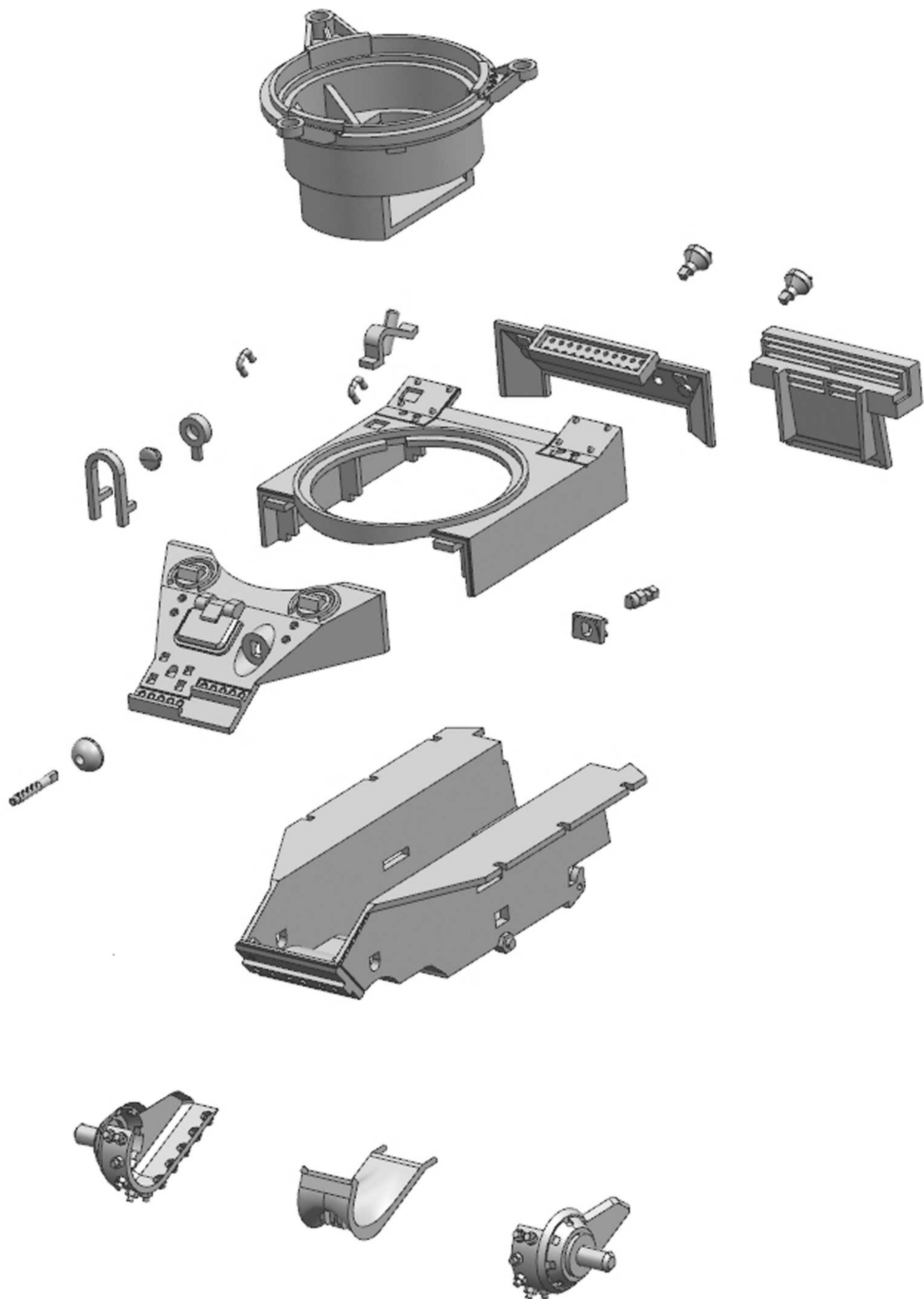
REMEMBER TO  
DRY-FIT  
YOUR PARTS  
BEFORE USING  
ANY GLUE.



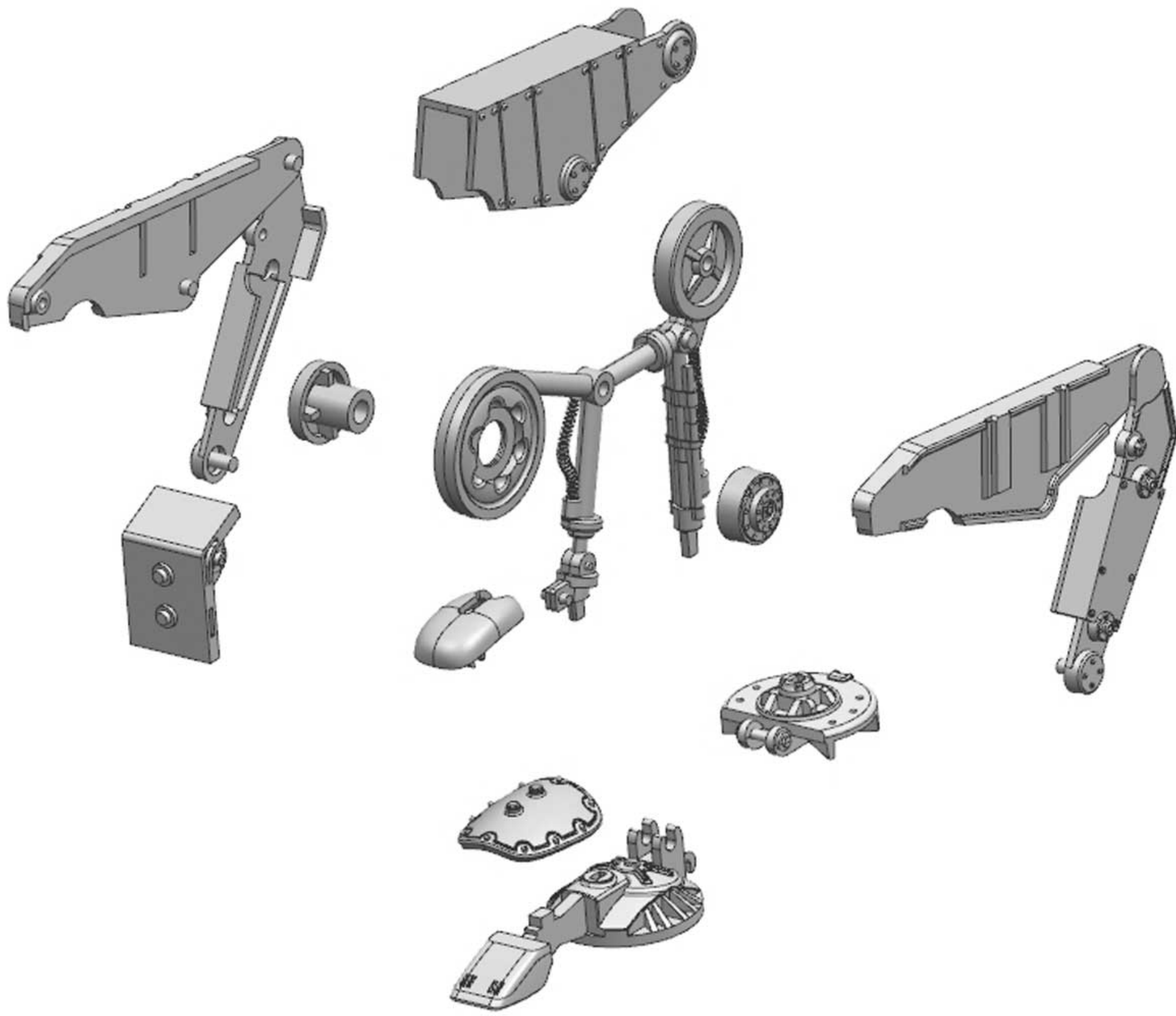
**TOYFAT**  
**STUDIO**

**K-AL716**

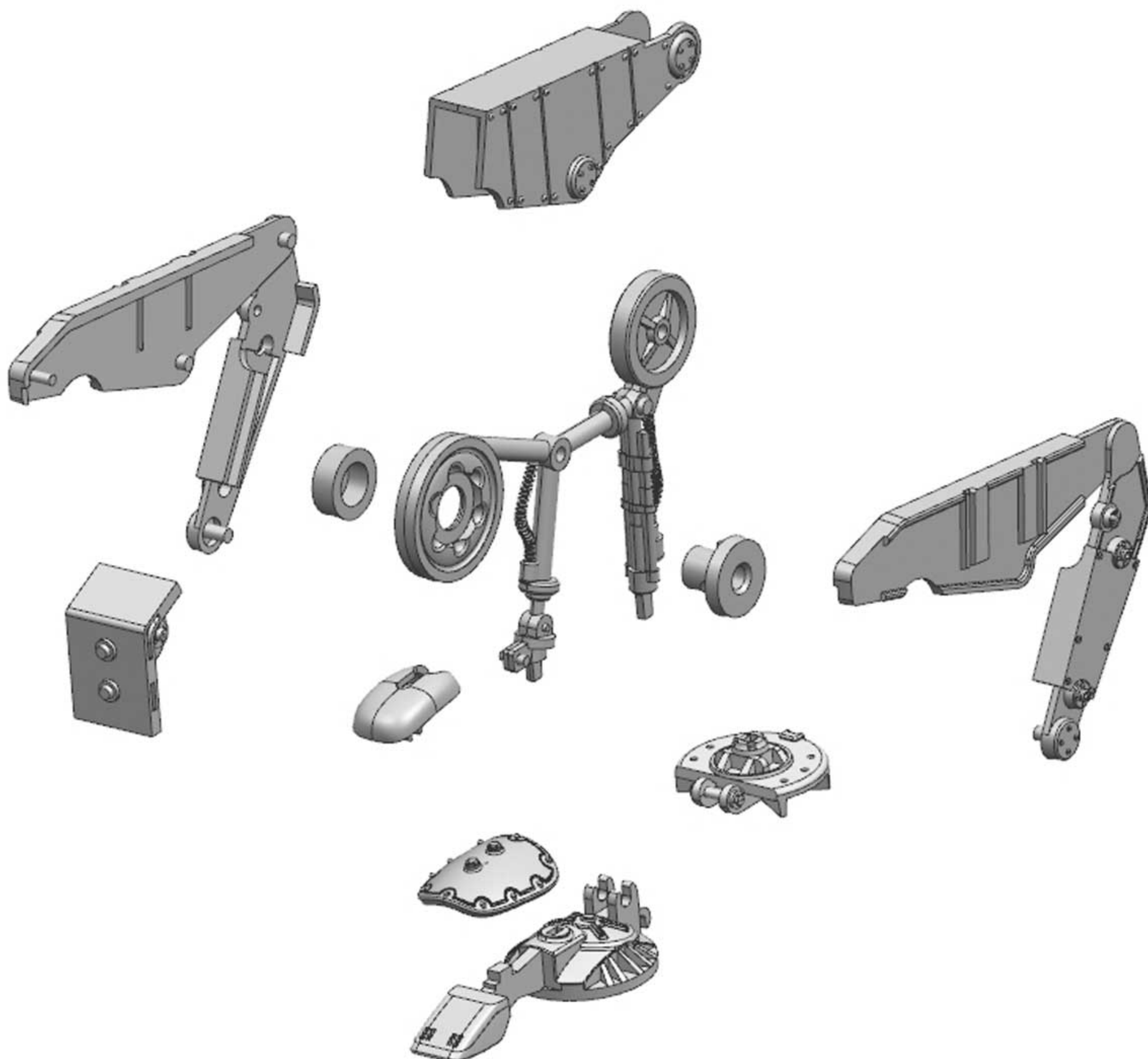
# BODY ASSEMBLY.



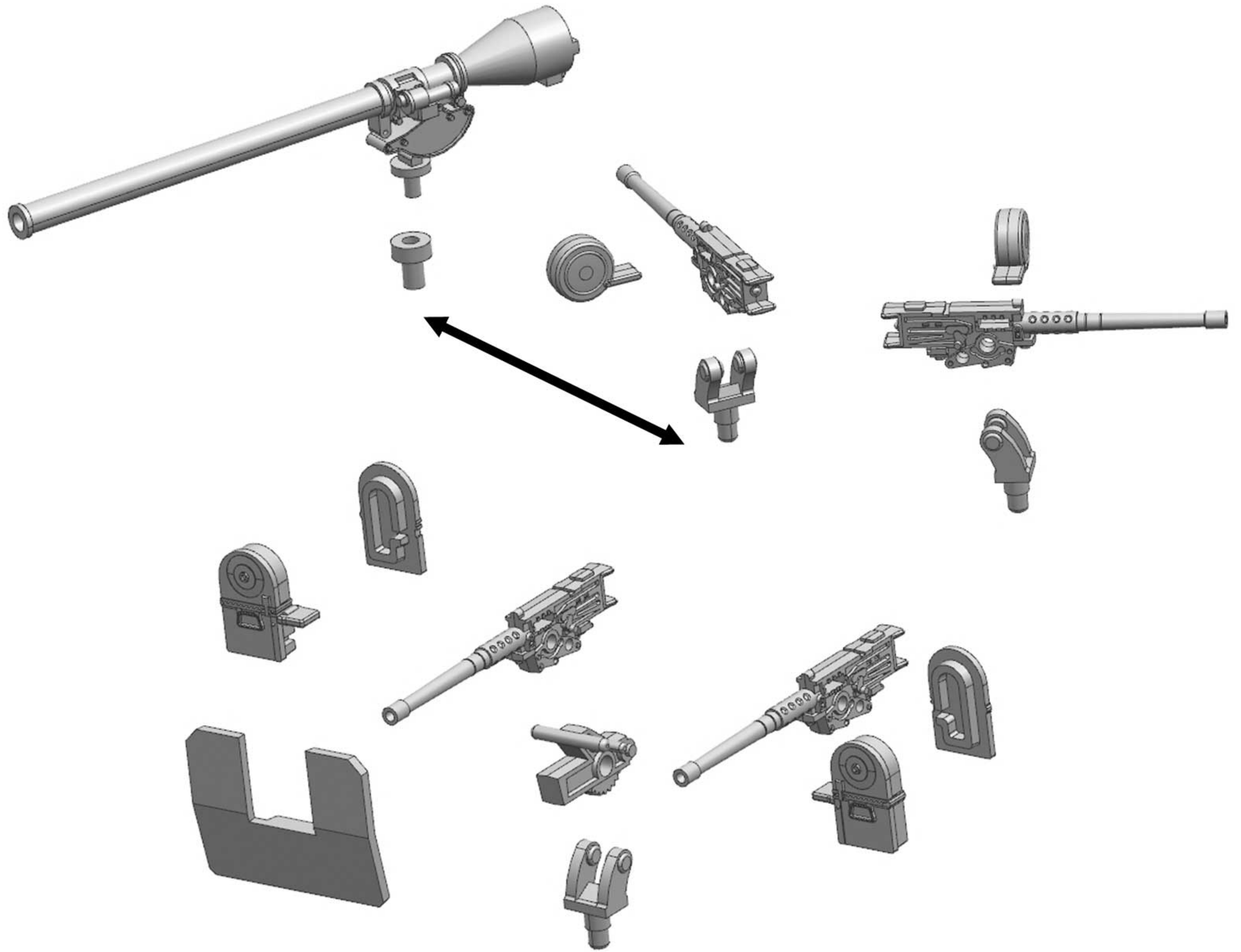
# LEFT LEG ASSEMBLY.



# RIGHT LEG ASSEMBLY.



# WEAPONS ASSEMBLY.



THIS SET INCLUDES  
AN ALLIES DECAL  
SHEET AND TWO  
UNIT CARDS, ONE FOR  
THE RECON 2 AND ONE  
FOR THE RECON 3.

