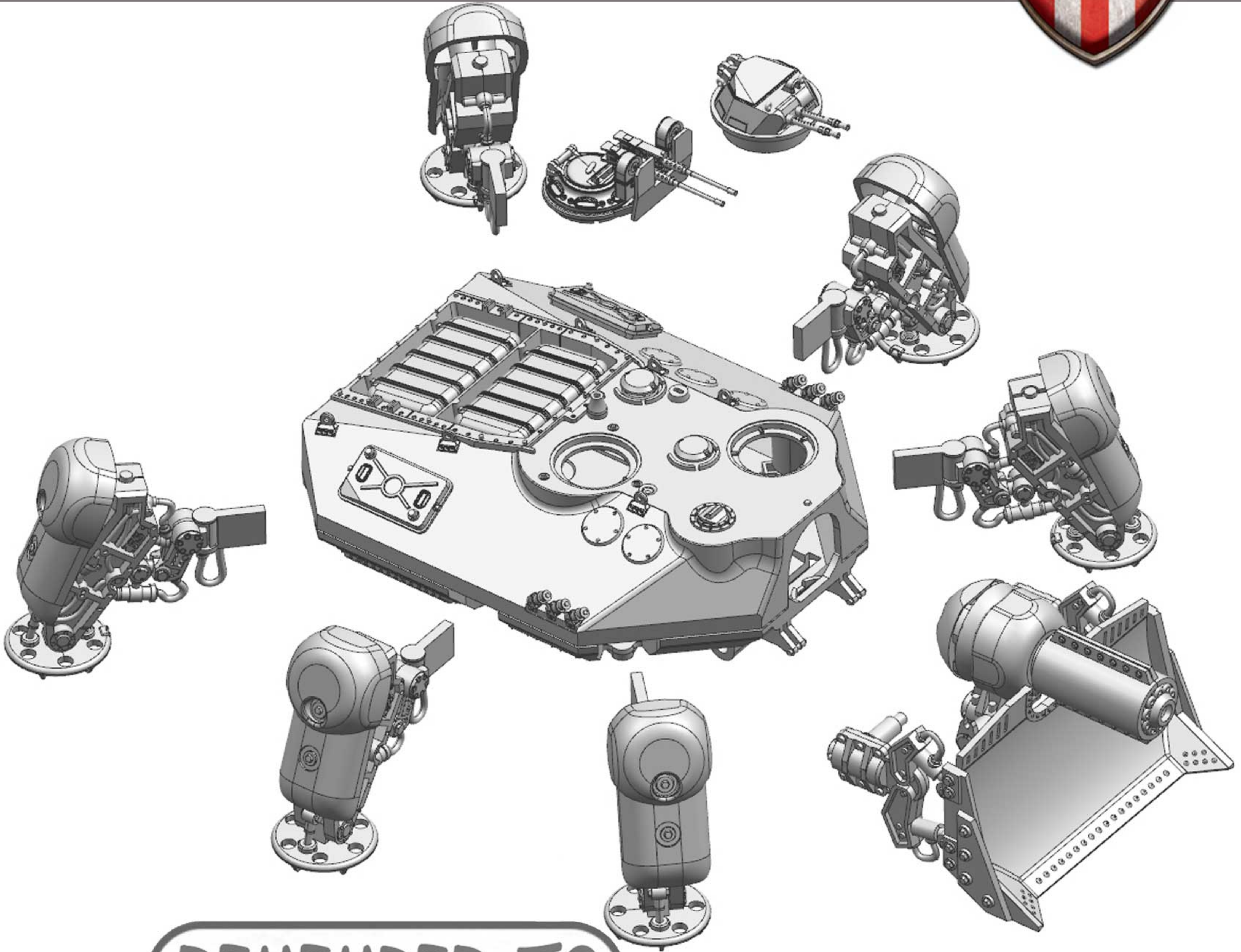


"DEVASTATOR"

ASSEMBLY INSTRUCTIONS

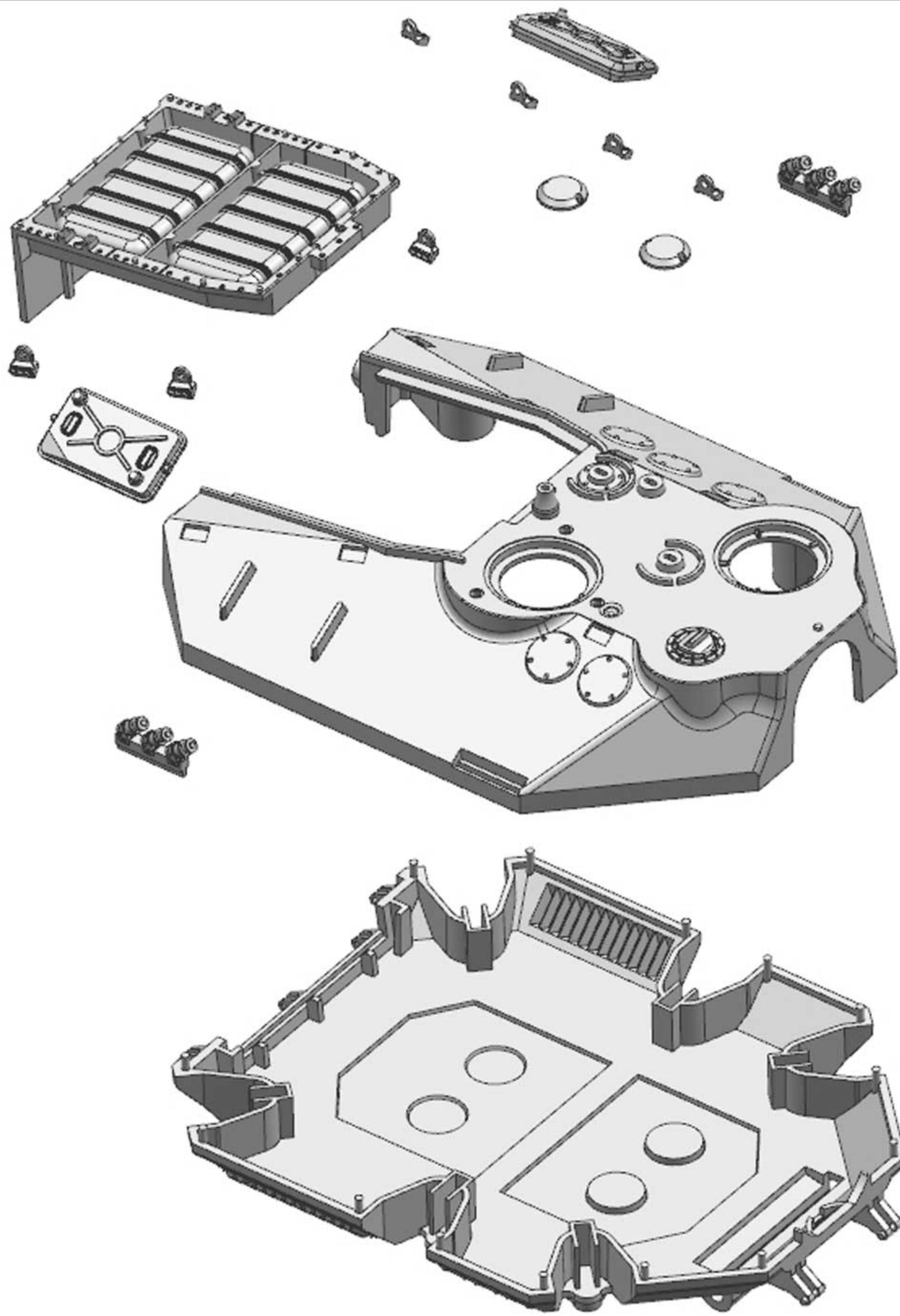


REMEMBER TO
DRY-FIT
YOUR PARTS
BEFORE USING
ANY GLUE.

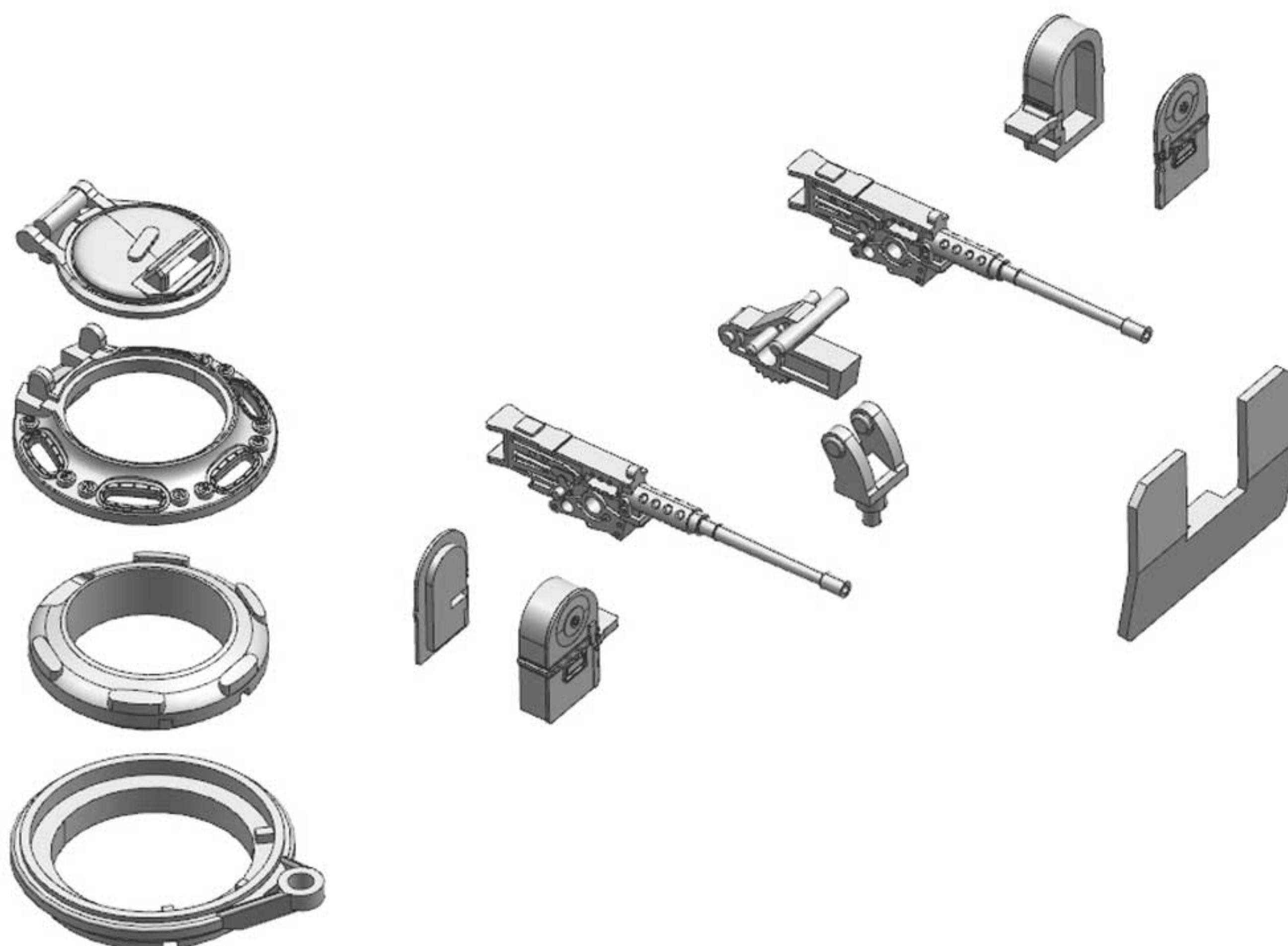


K-AL807

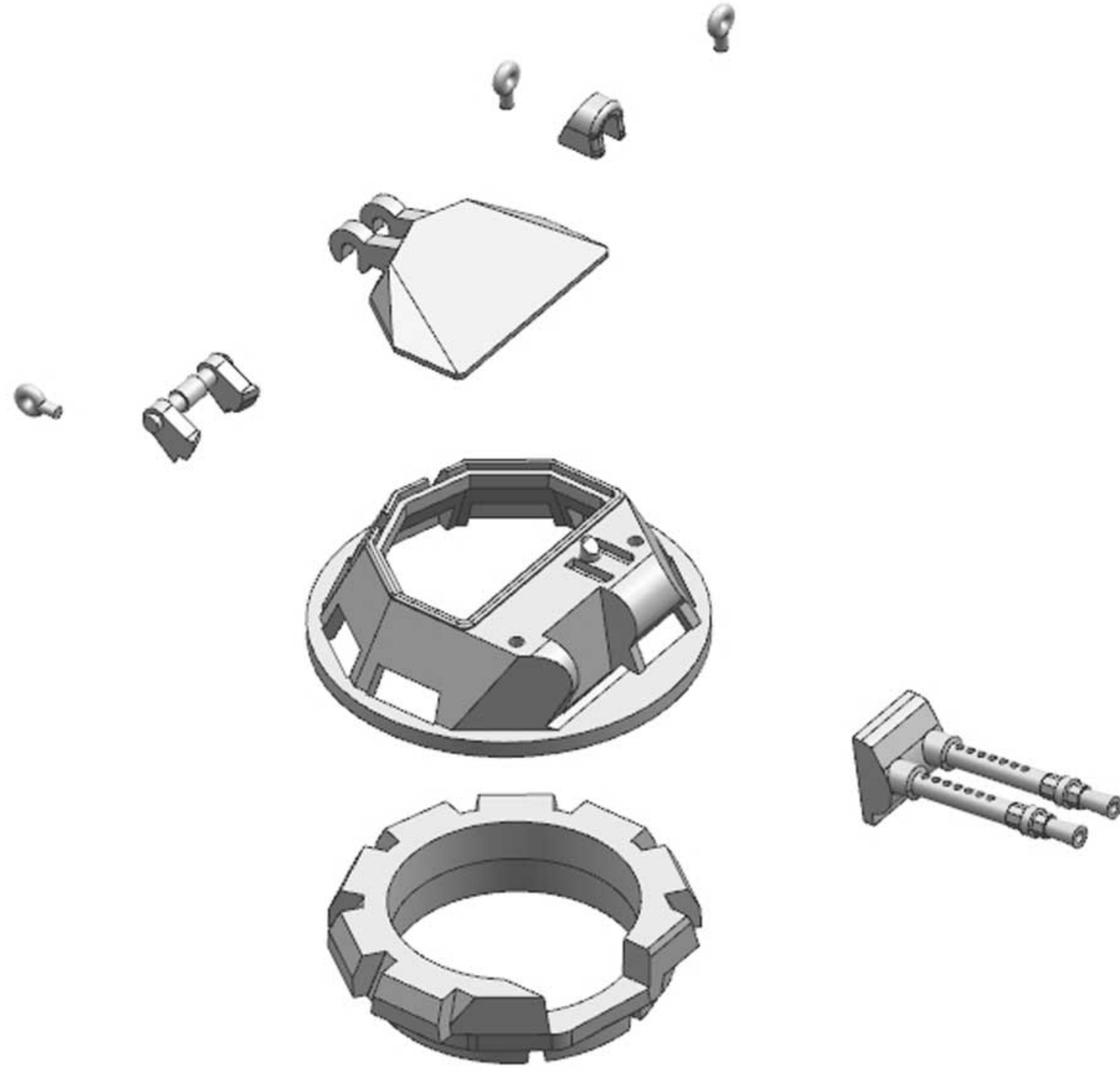
BODY ASSEMBLY.



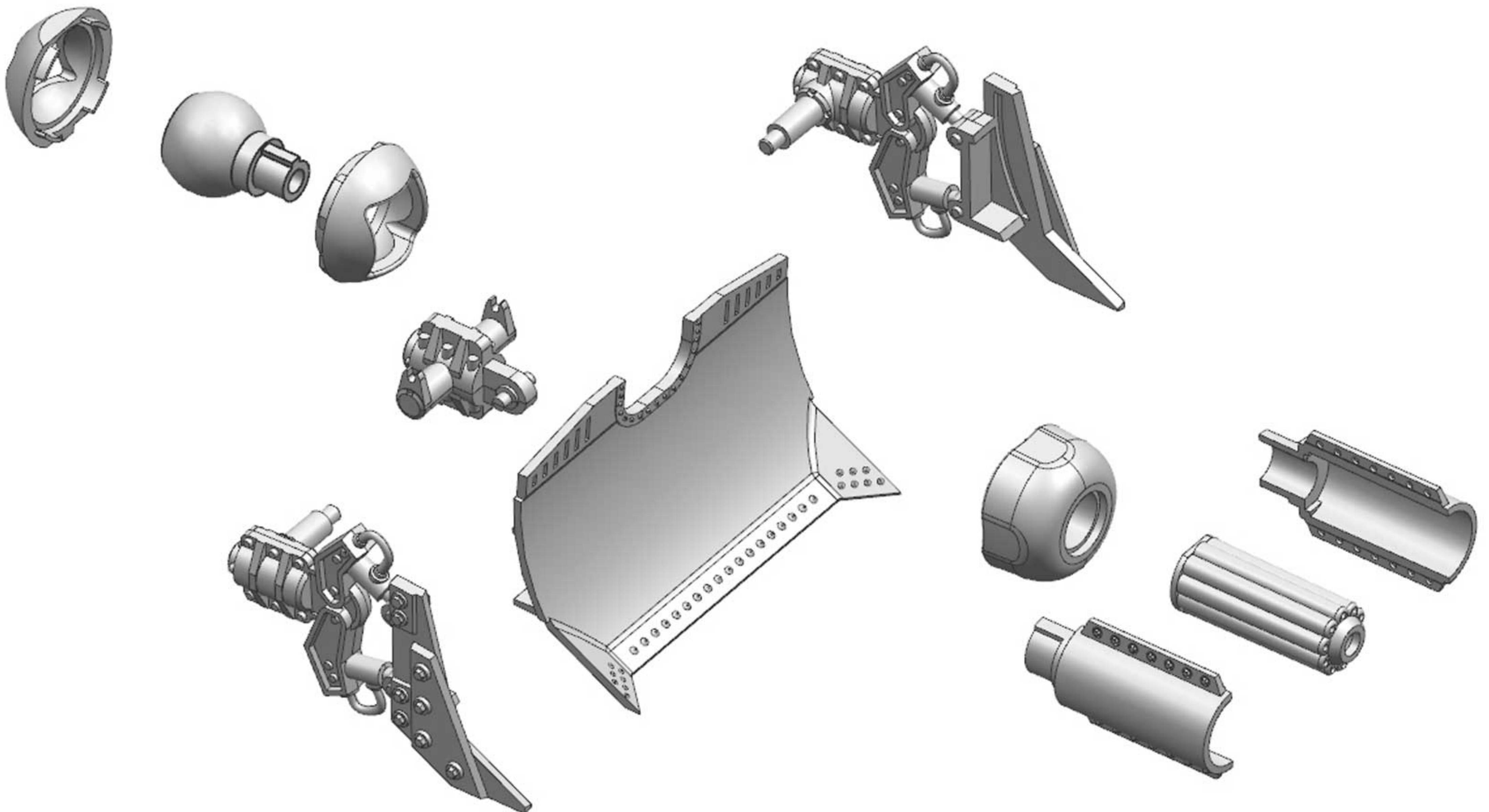
COMMANDER CUPOLA TWIN MG ASSEMBLY.



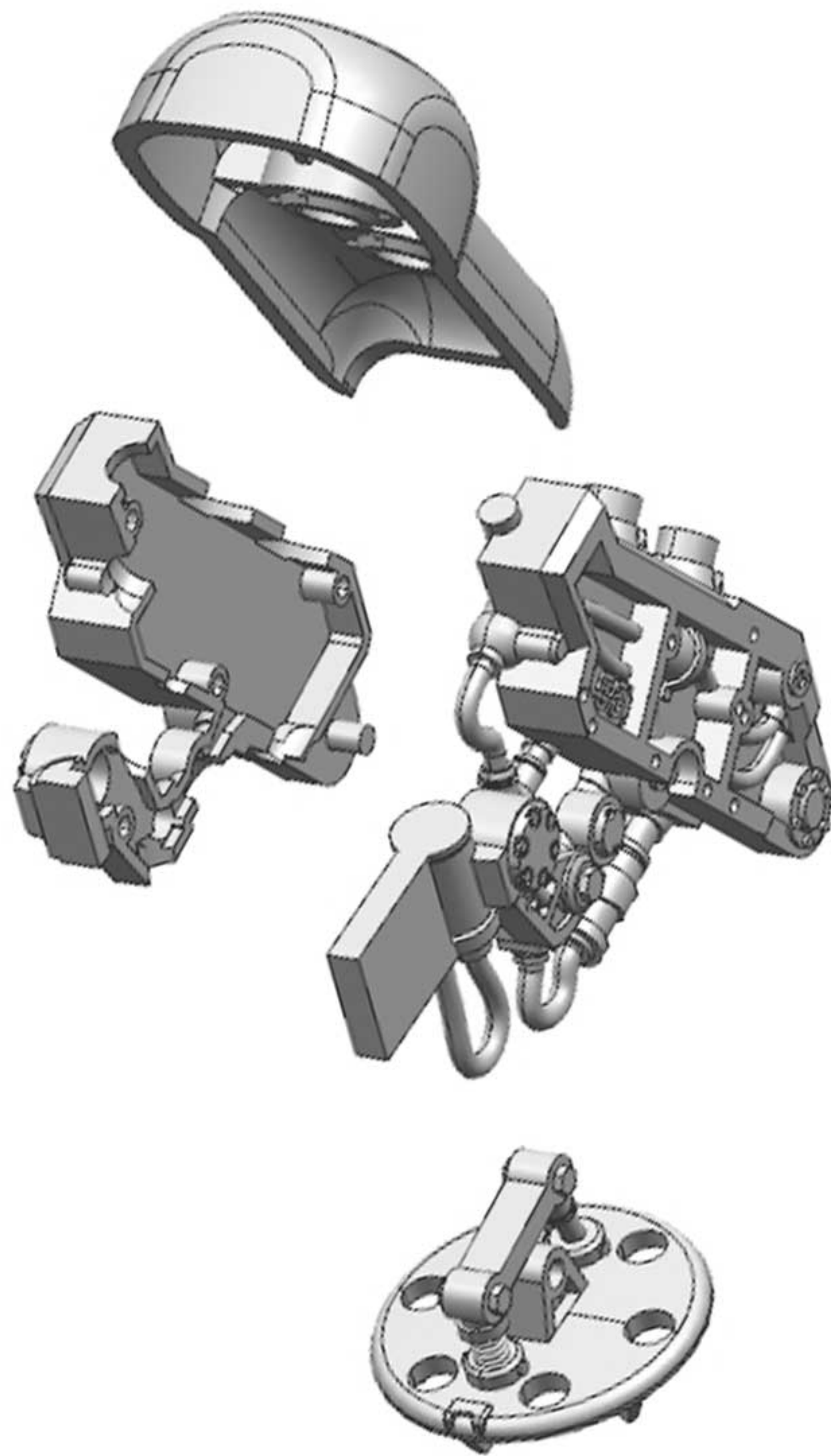
MINI TURRET ASSEMBLY.



MAIN WEAPON AND DOZER BLADE



LEGS ASSEMBLY (X8)



REMEMBER TO
DRY-FIT
YOUR PARTS
BEFORE USING
ANY GLUE.

