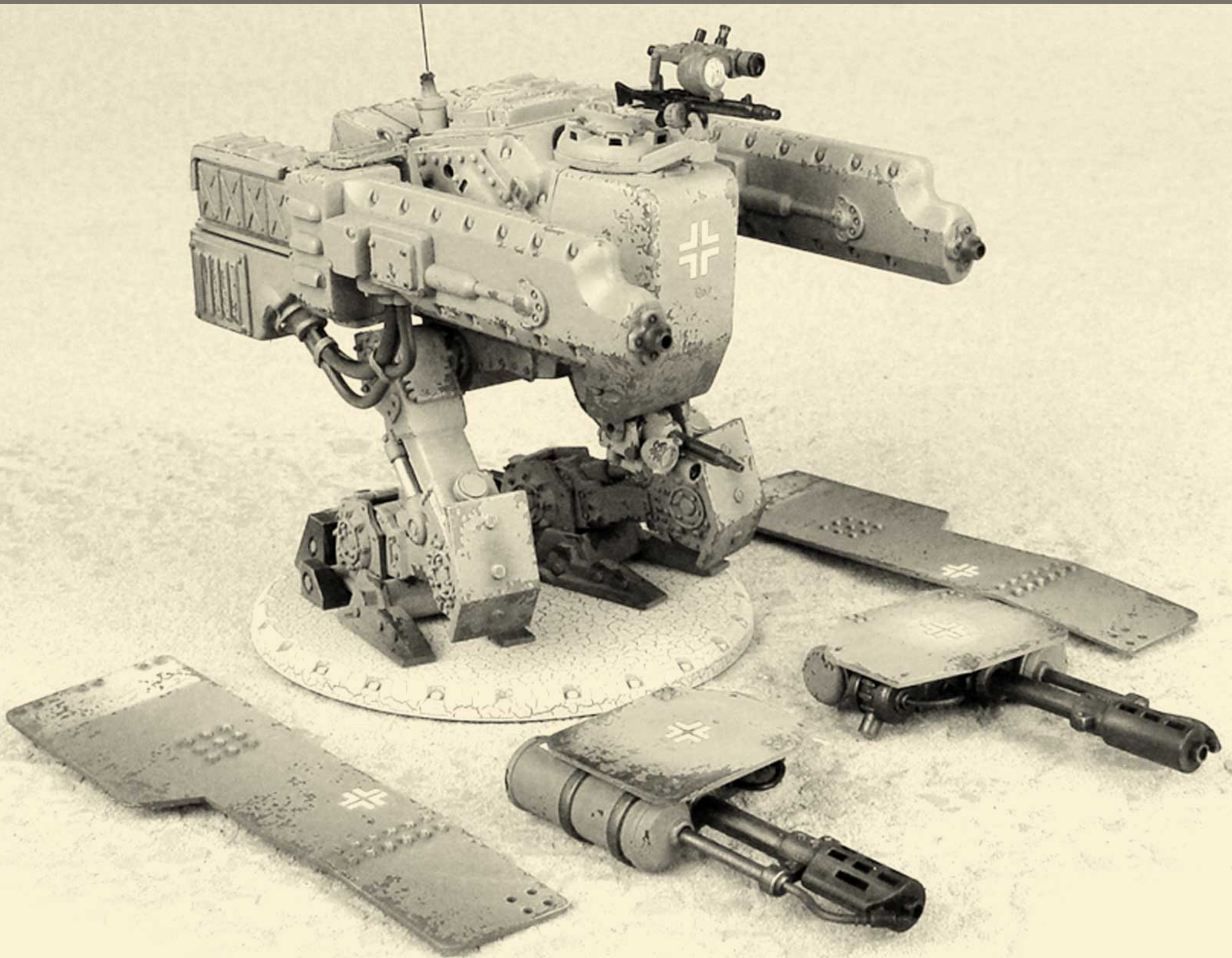


WOTAN II/III FLAMMLUTHER II ASSEMBLY INSTRUCTIONS

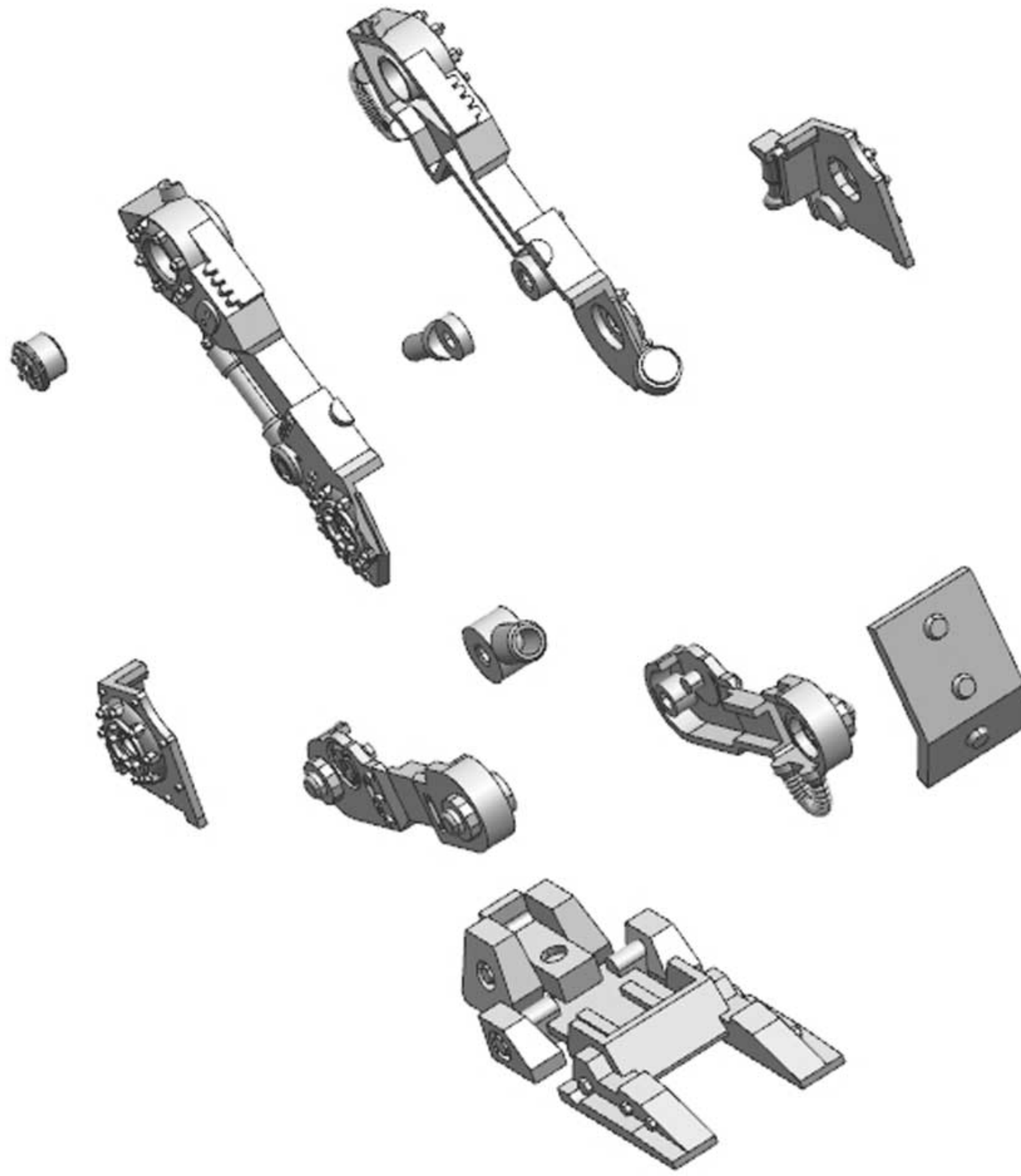


REMEMBER TO
DRY-FIT
YOUR PARTS
BEFORE USING
ANY GLUE.

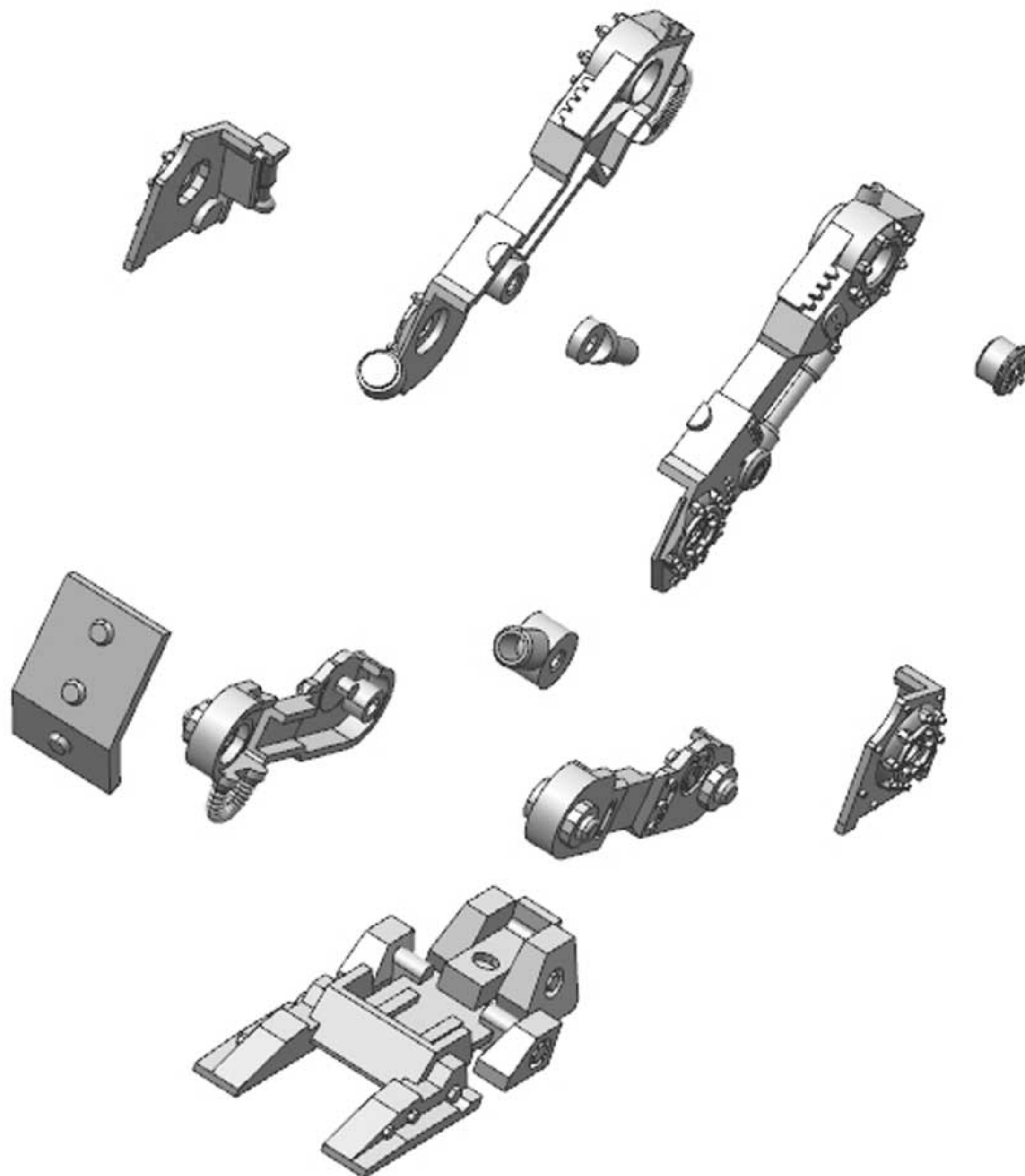


K-AX238

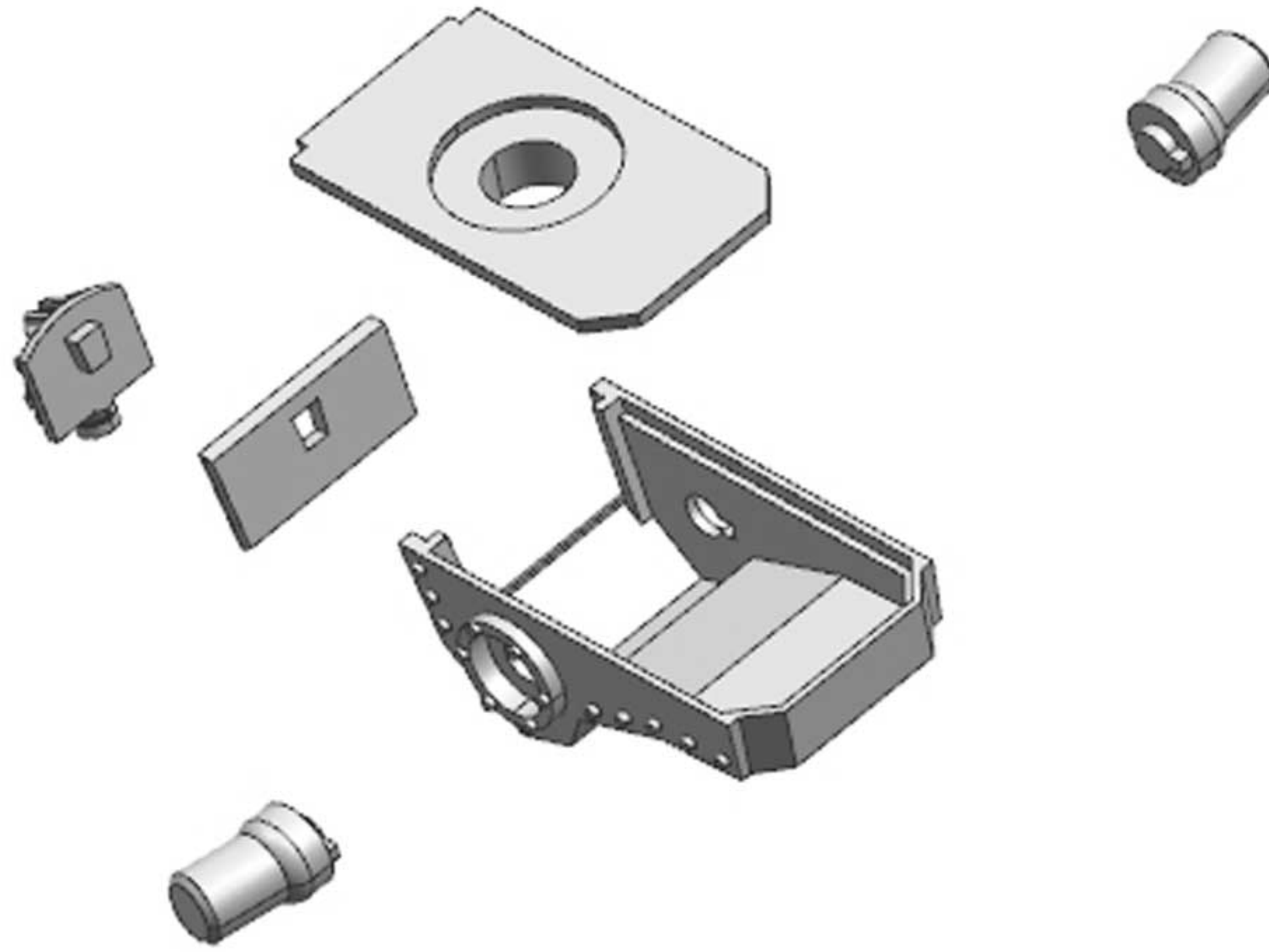
RIGHT LEG ASSEMBLY.



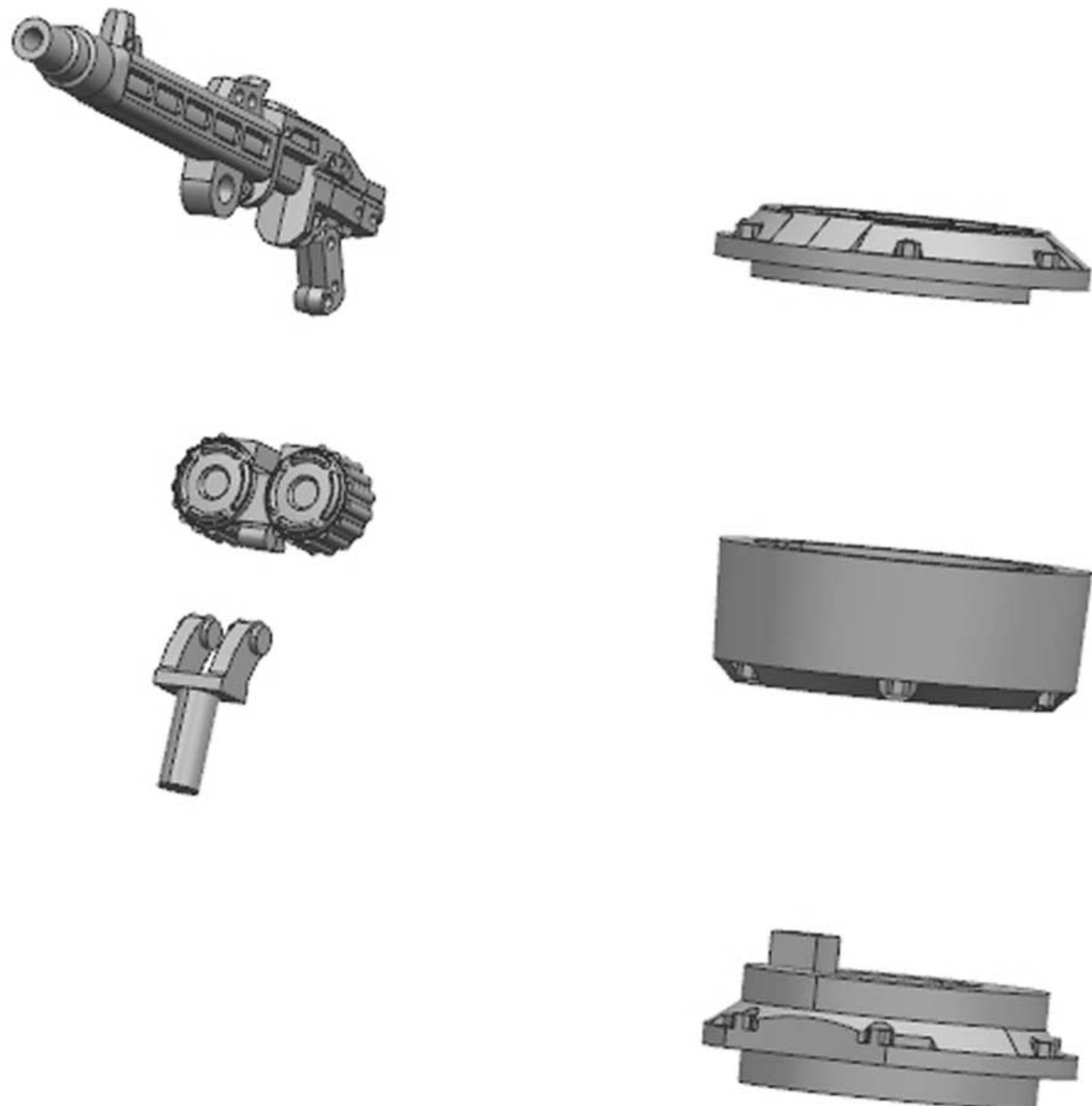
LEFT LEG ASSEMBLY.



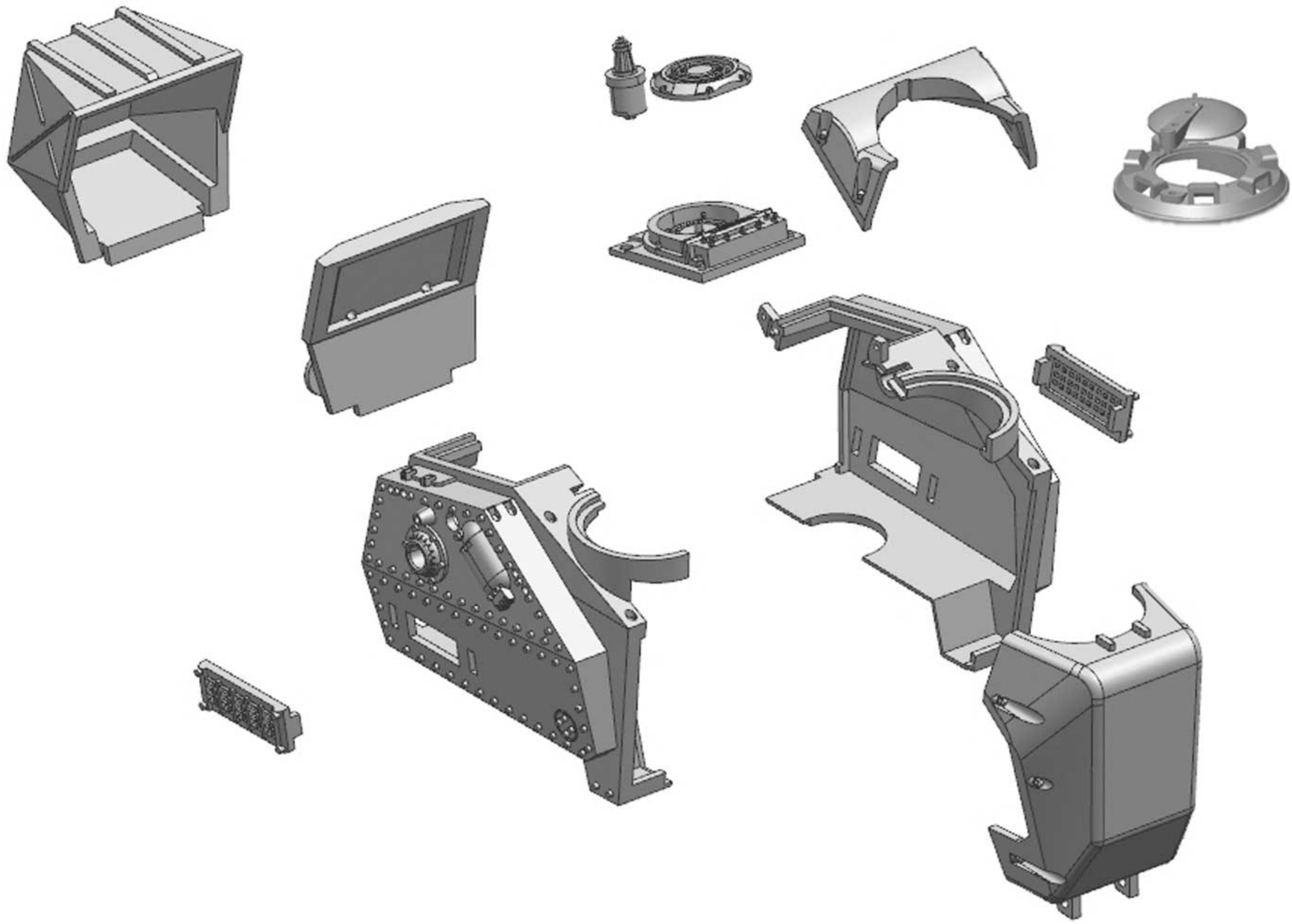
HIPS ASSEMBLY.



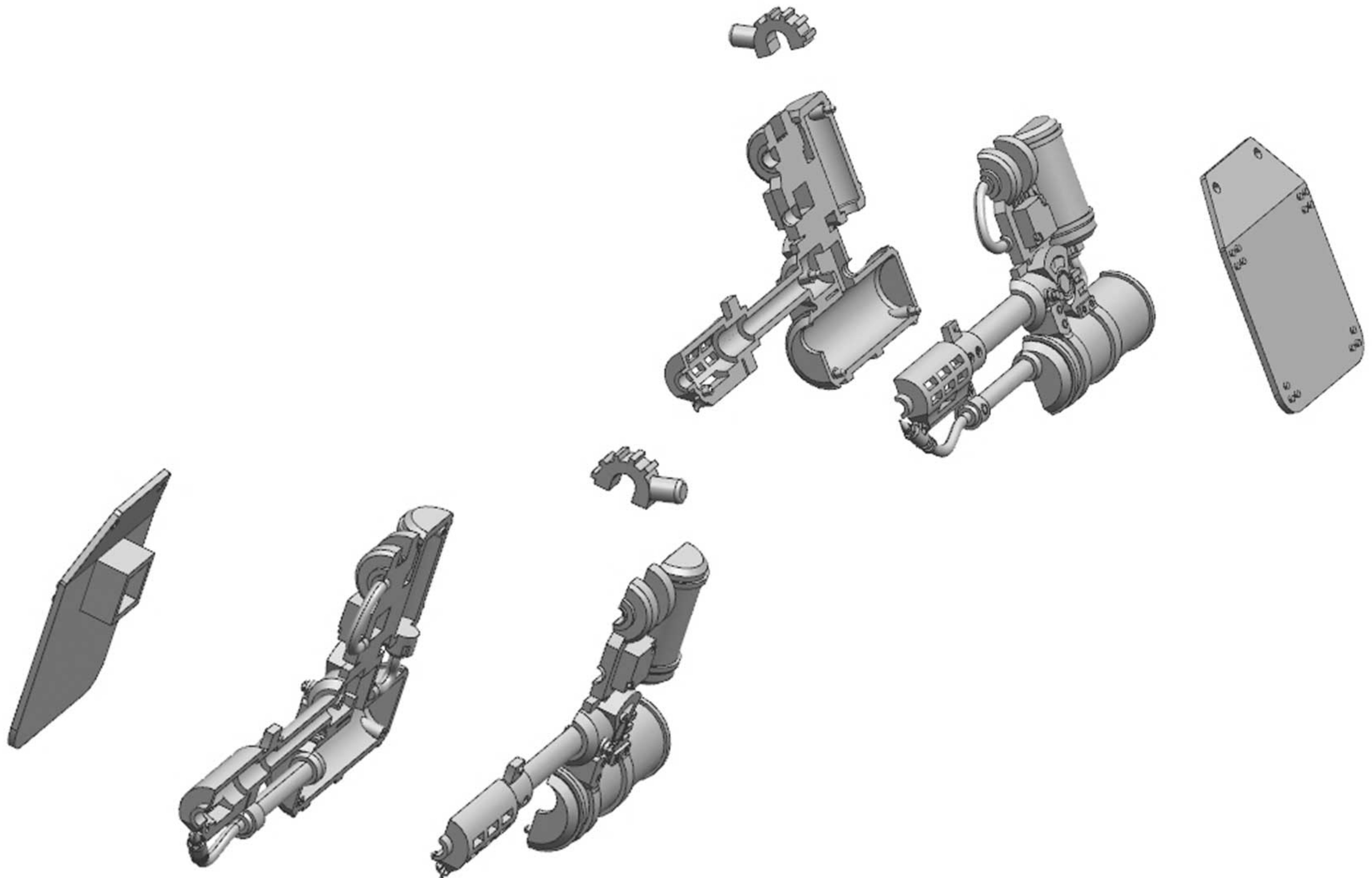
BODY DETAILS ASSEMBLY.



BODY ASSEMBLY.



FLAMETHROWERS ASSEMBLY.



LASERKANONE ASSEMBLY.

