

# LUFTWAFFE SUPPORT UNITS ASSEMBLY INSTRUCTIONS



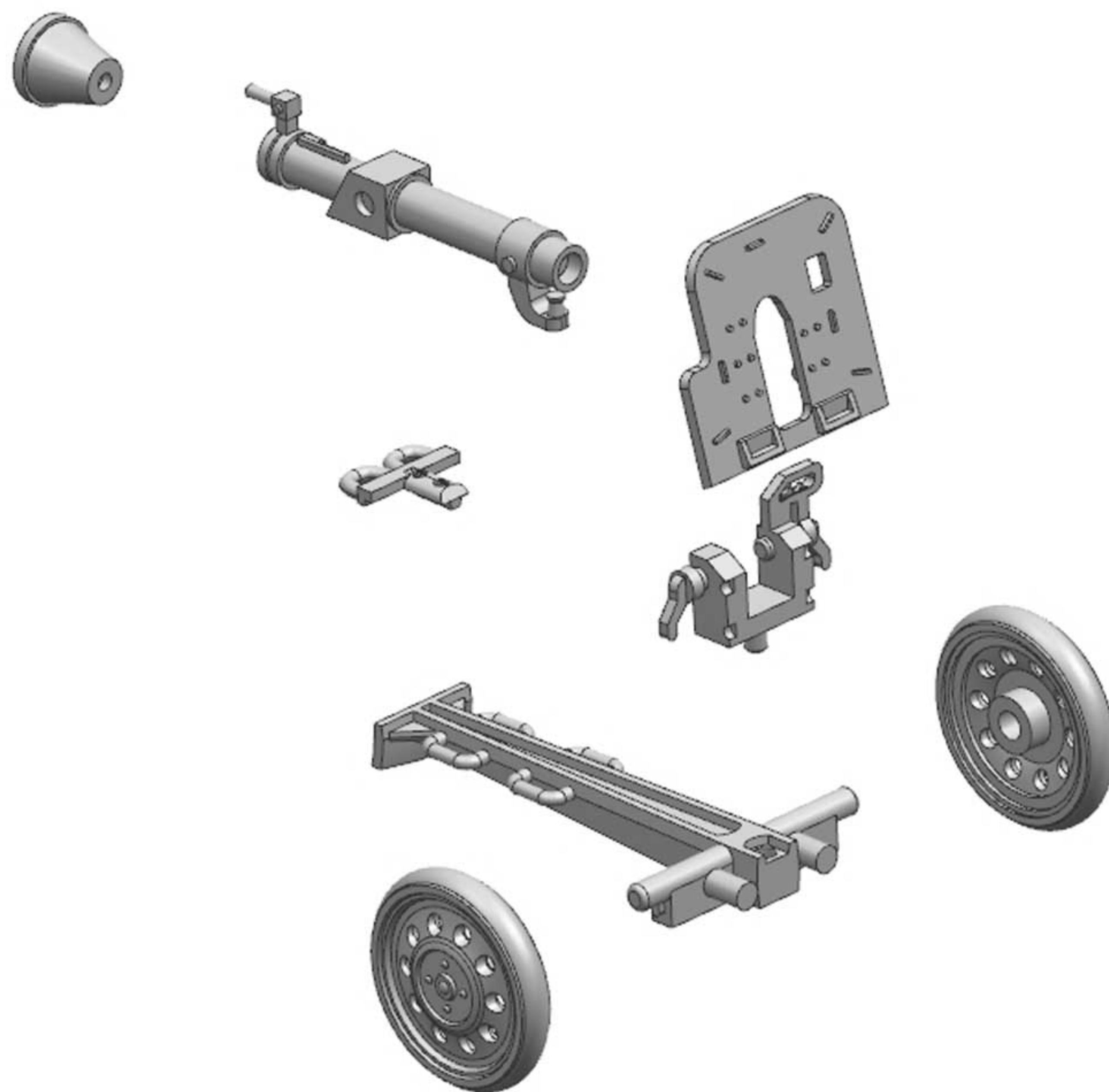
REMEMBER TO  
DRY-FIT  
YOUR PARTS  
BEFORE USING  
ANY GLUE.



**TOULOUSE**  
**STUDIO**

**K-AX438**

# 10.5CM ROCKET LAUNCHER ASSEMBLY.



# 8.8CM ROCKET LAUNCHER ASSEMBLY.

