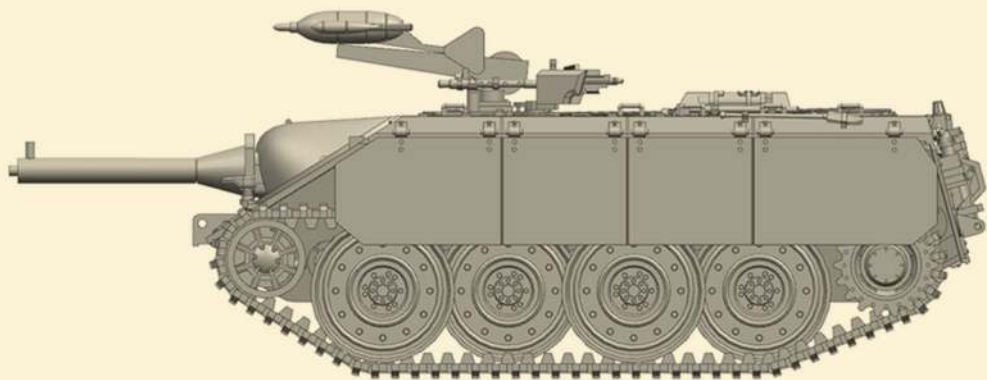
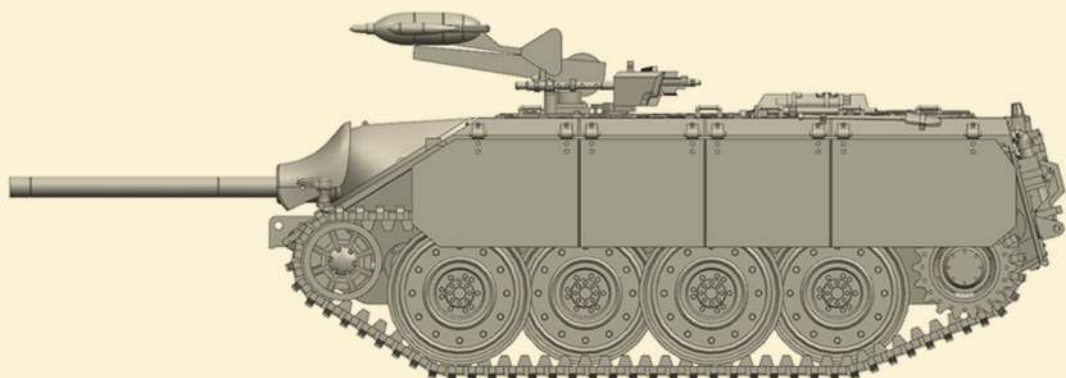


E10 HETZER/FLAMMHETZER

-ASSEMBLY INSTRUCTIONS-

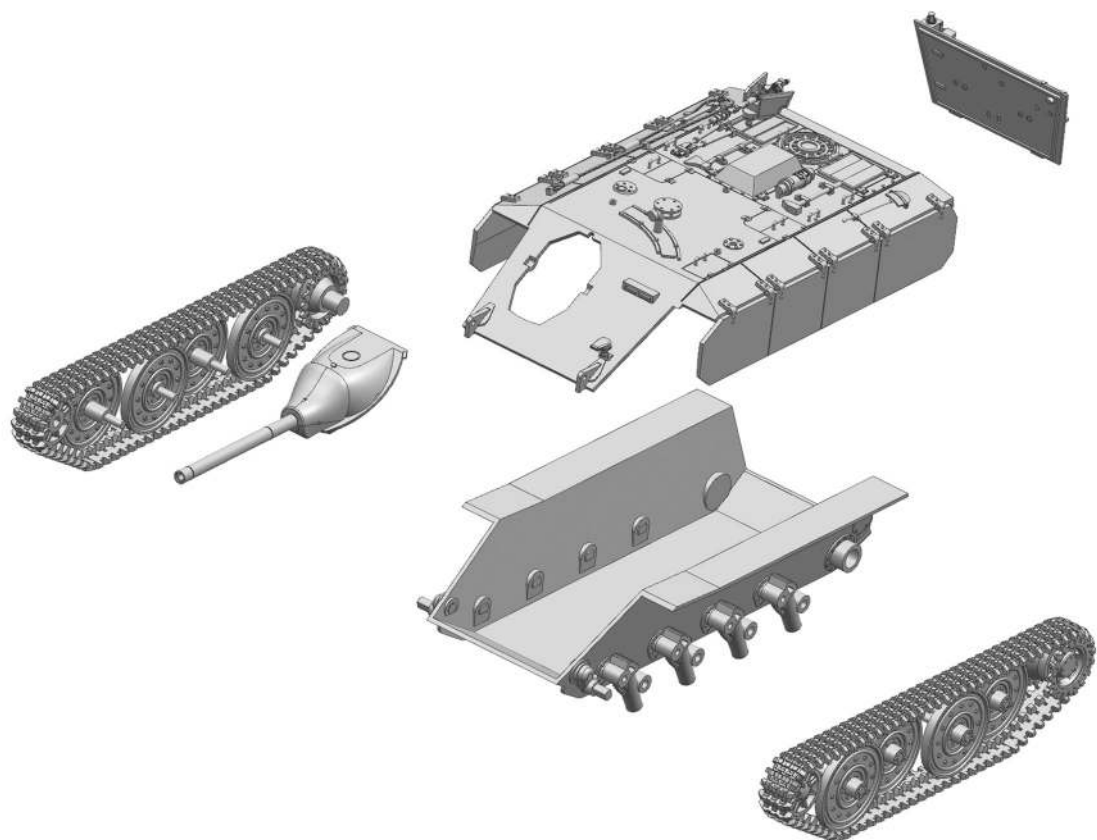


REMEMBER TO
DRY-FIT
YOUR PARTS
BEFORE USING
ANY GLUE.

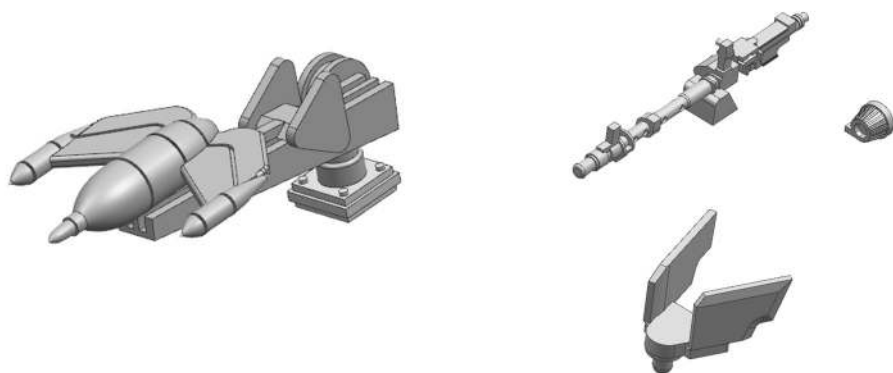


ITEM N.
K-AX602

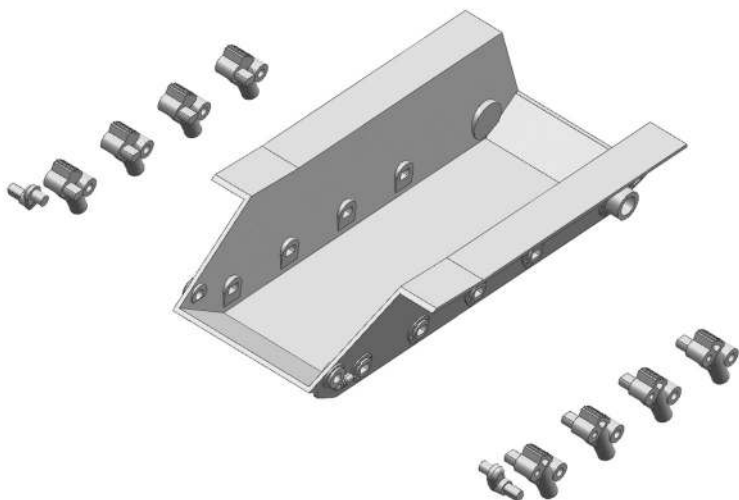
GENERAL ASSEMBLY OVERVIEW



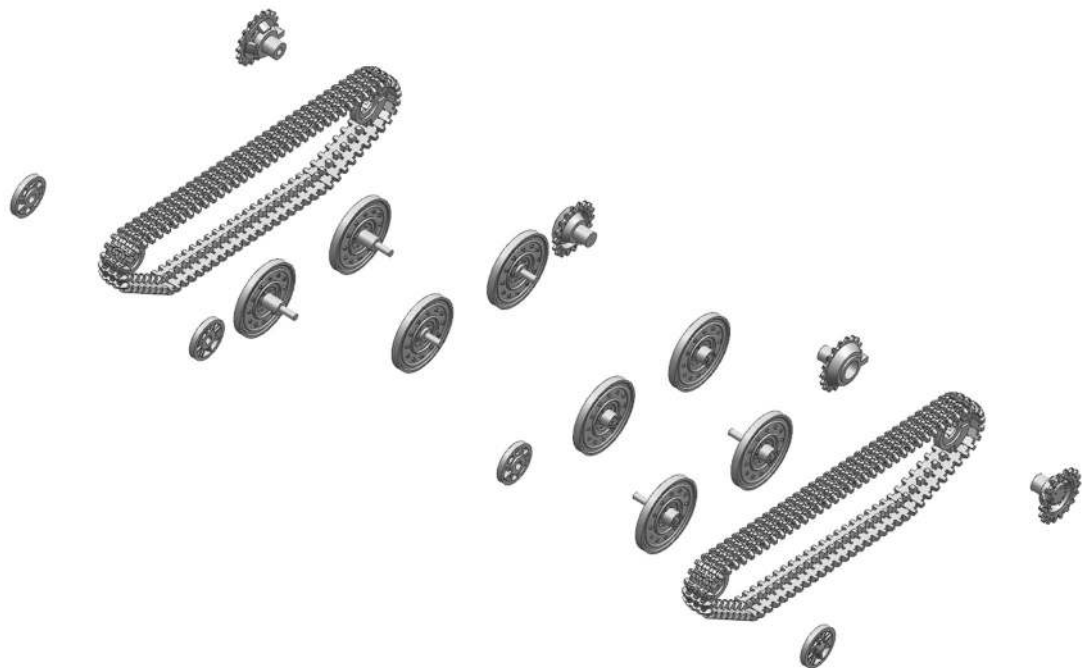
X7 MISSILE + MACHINEGUN



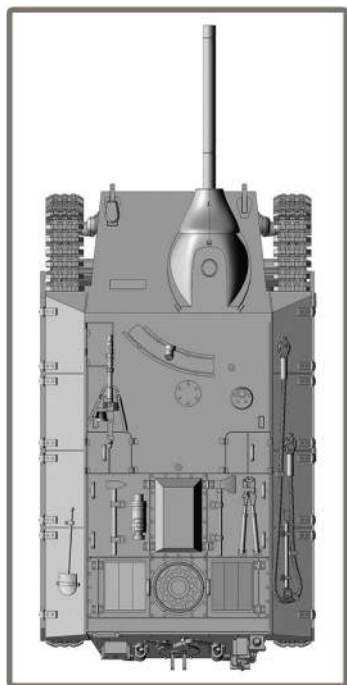
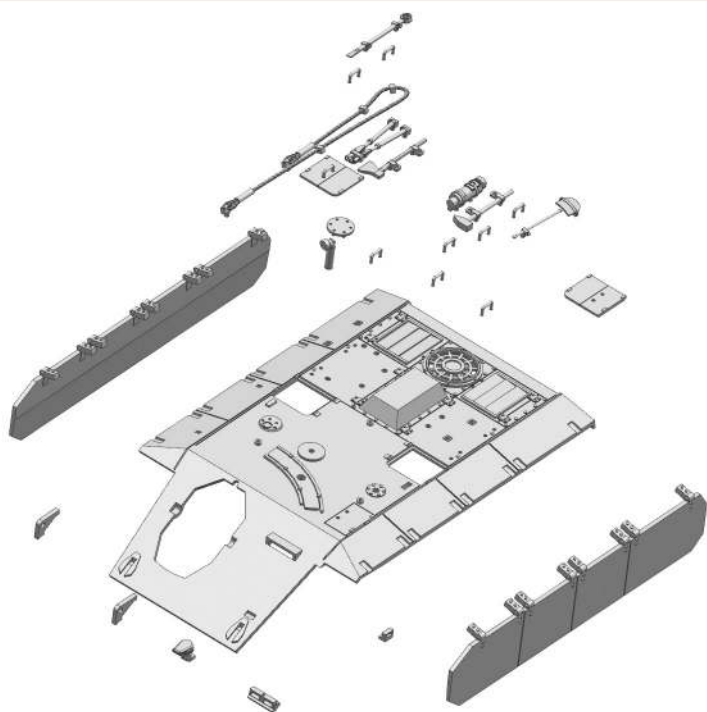
LOWER HULL



TRACKS + WHEELS



UPPER HULL



BACK + MAIN GUN

