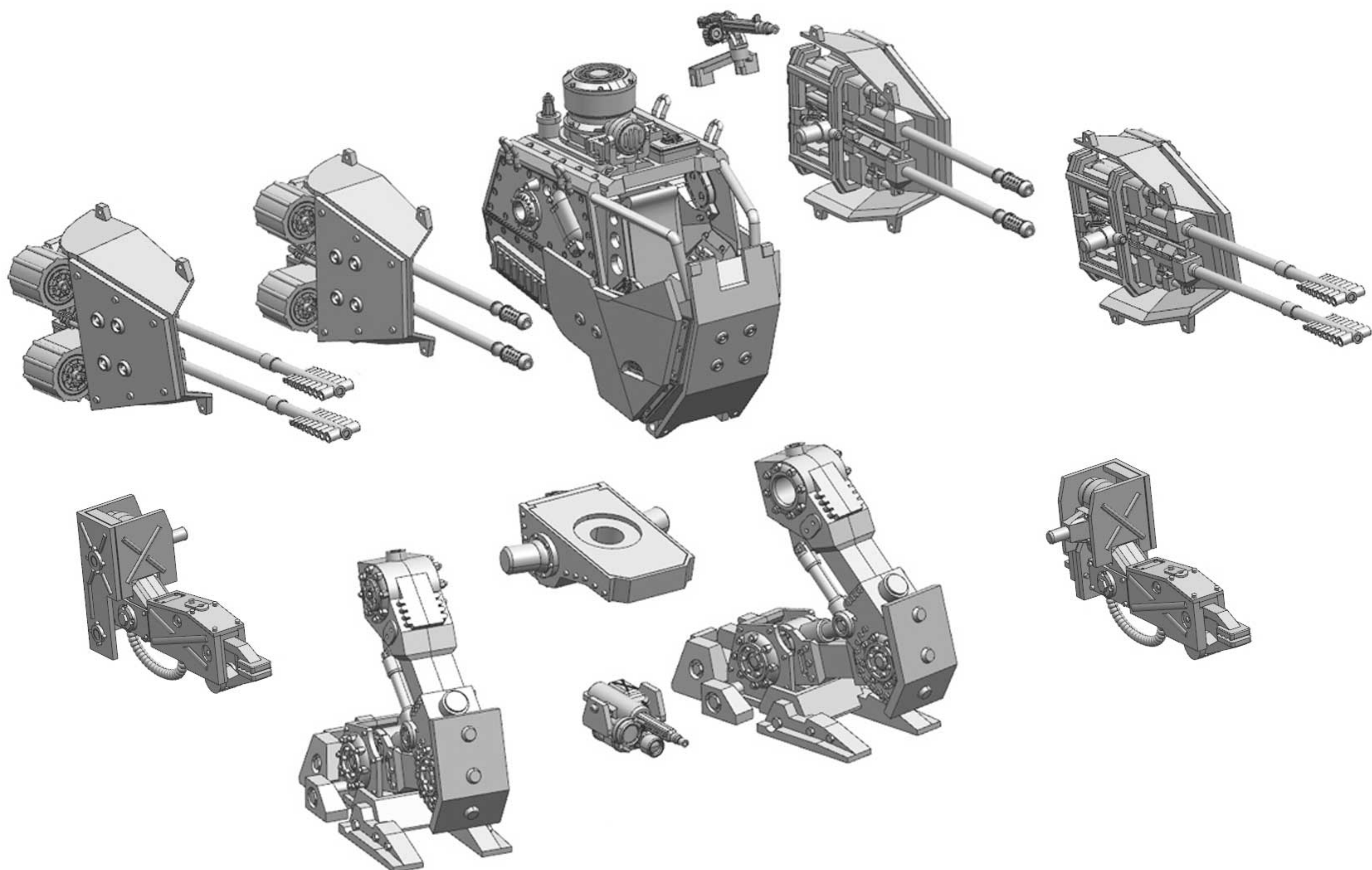


NDAK LOTH/LOKI (TROP)

ASSEMBLY INSTRUCTIONS

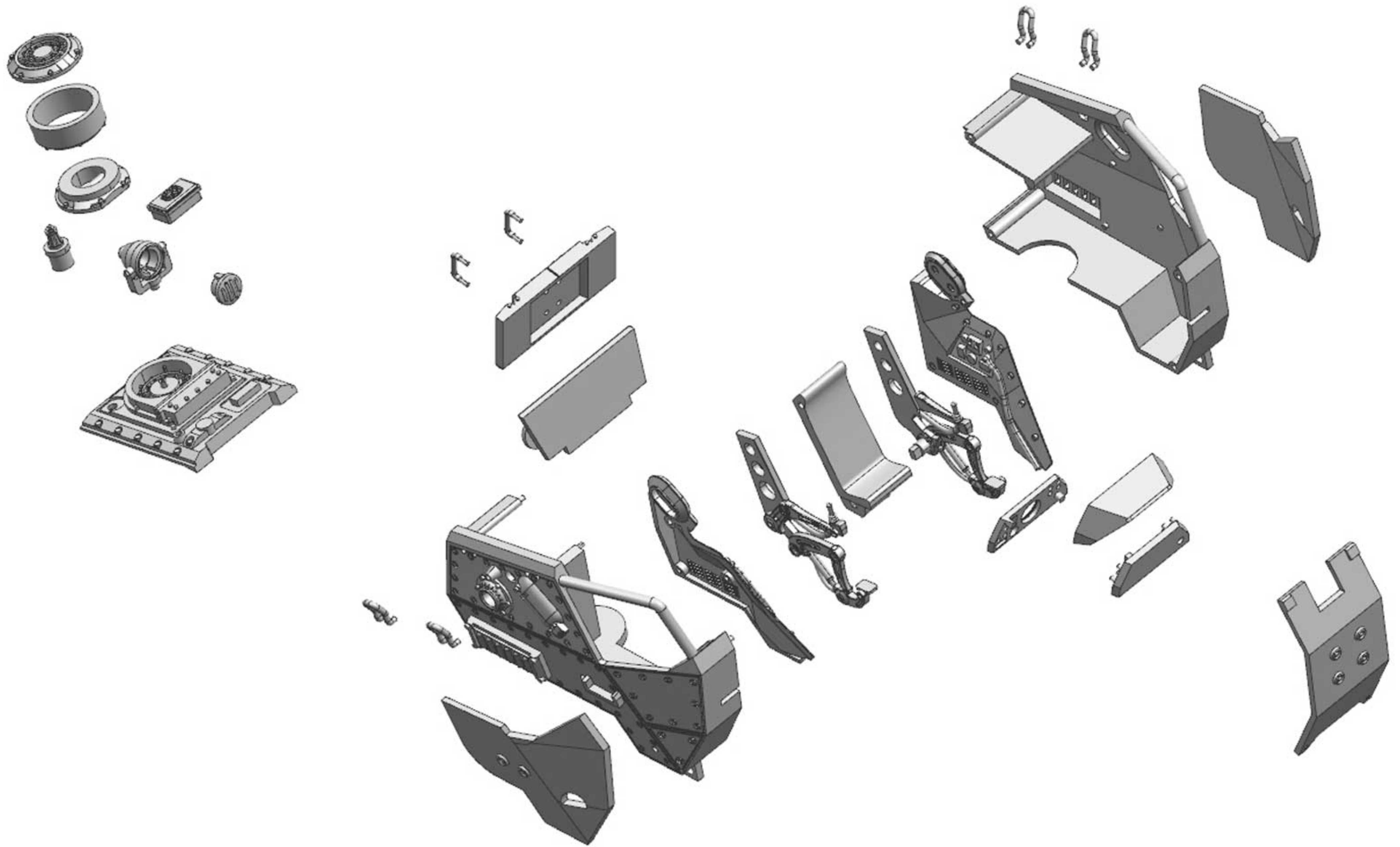


REMEMBER TO
DRY-FIT
YOUR PARTS
BEFORE USING
ANY GLUE.

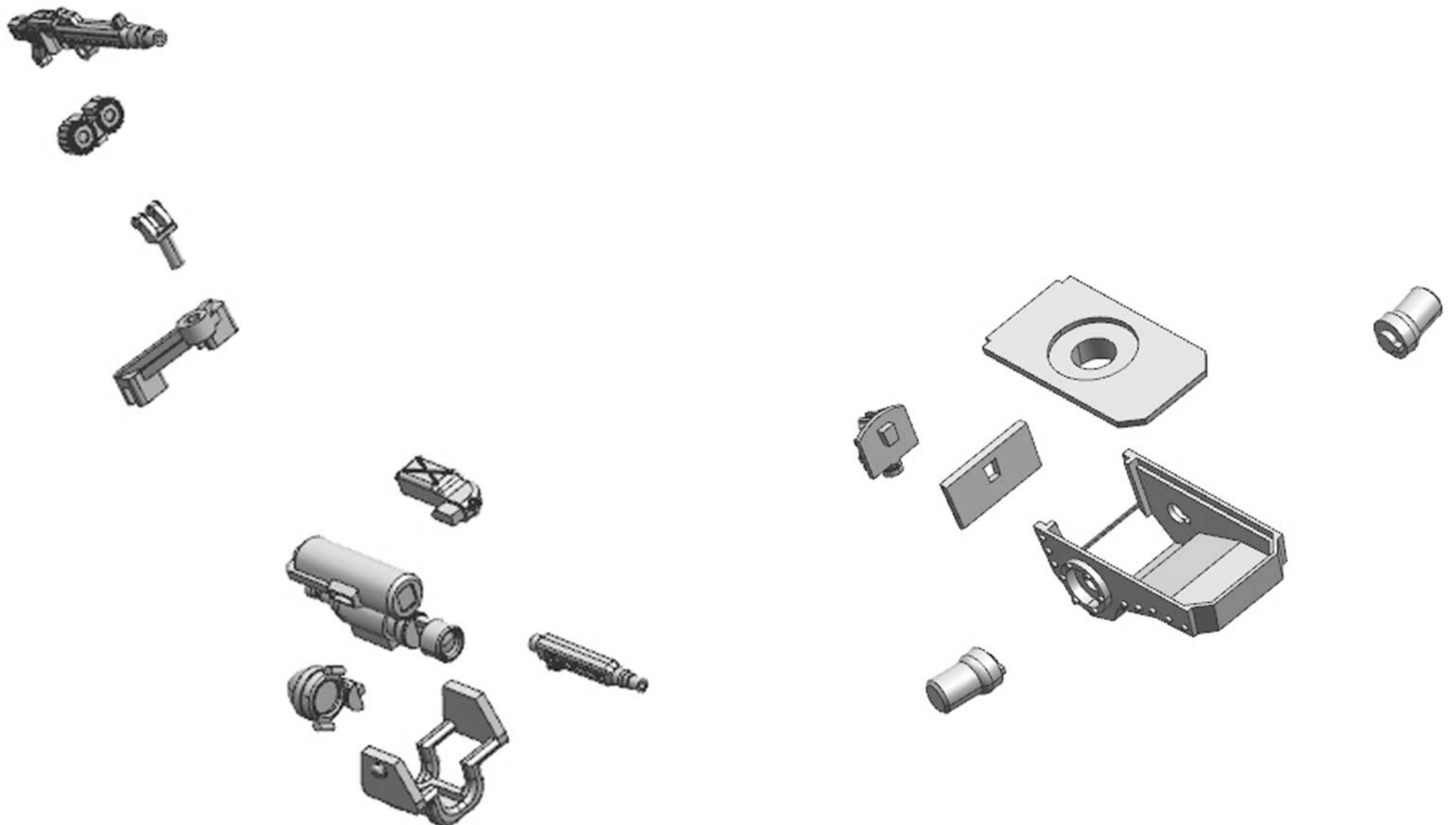


K-AX705

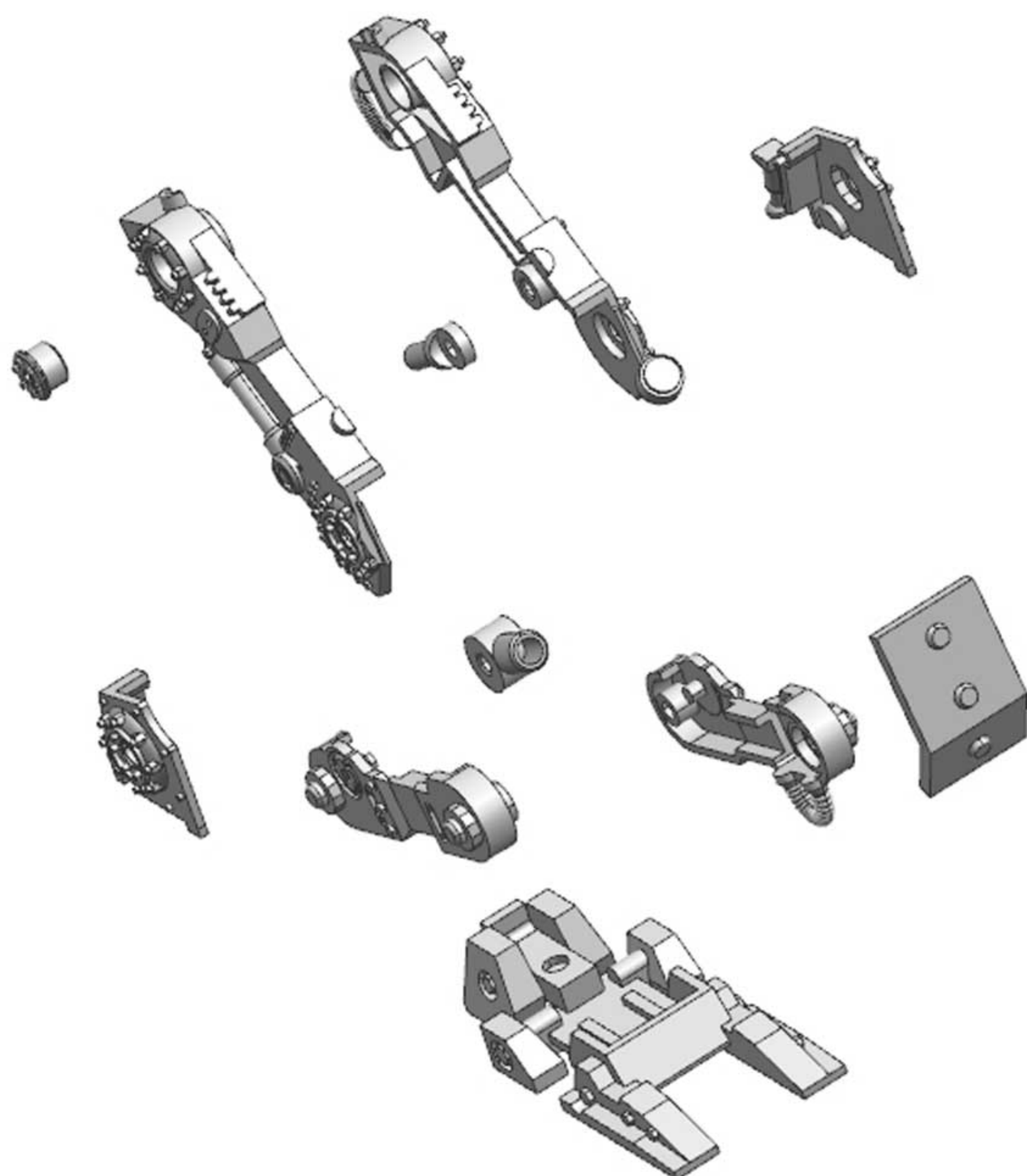
MAIN BODY



MACHINEGUNS + HIPS



LEG X2



MAIN WEAPON N.1

