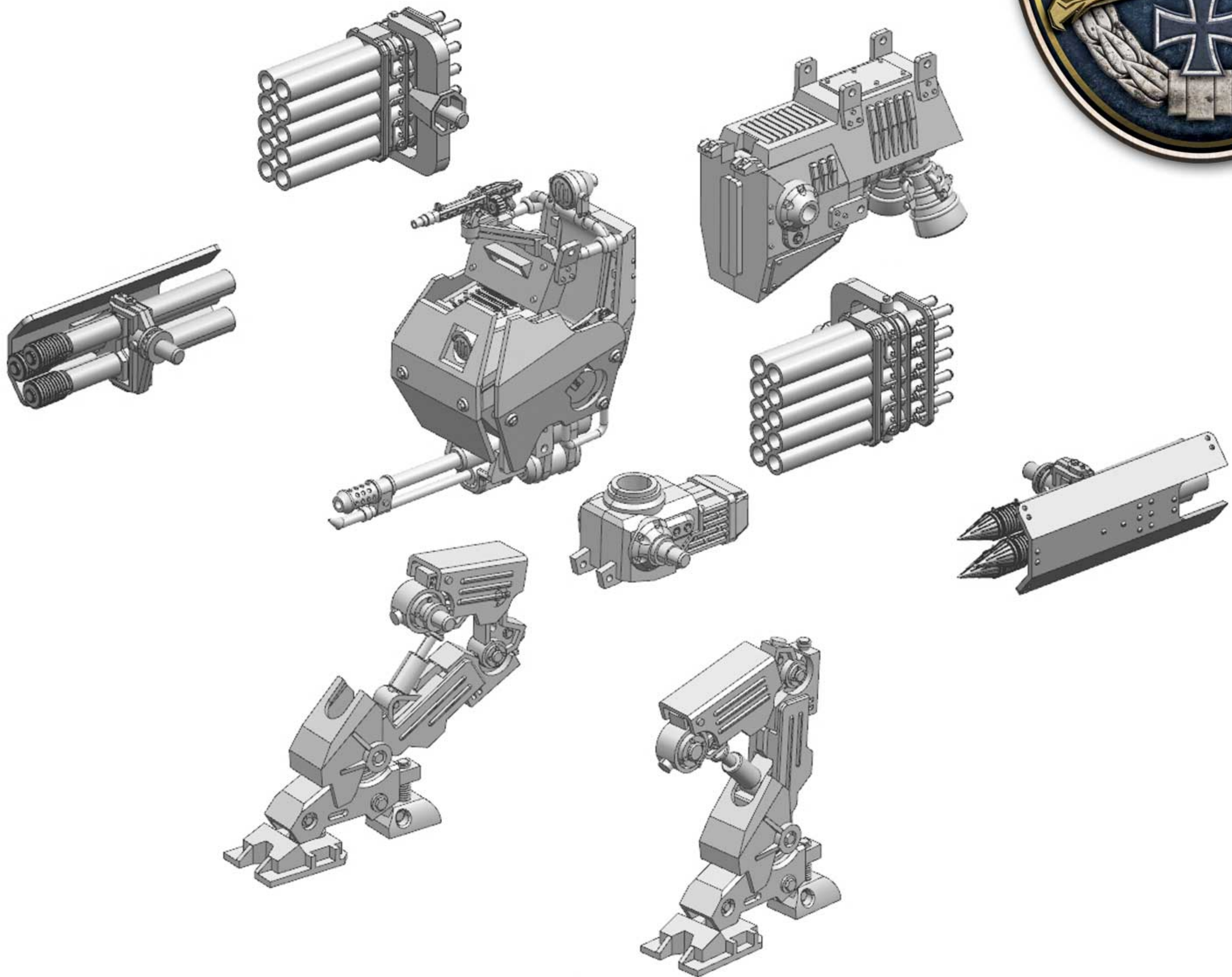


# LUFT HANS + LUFT HORST ASSEMBLY INSTRUCTIONS



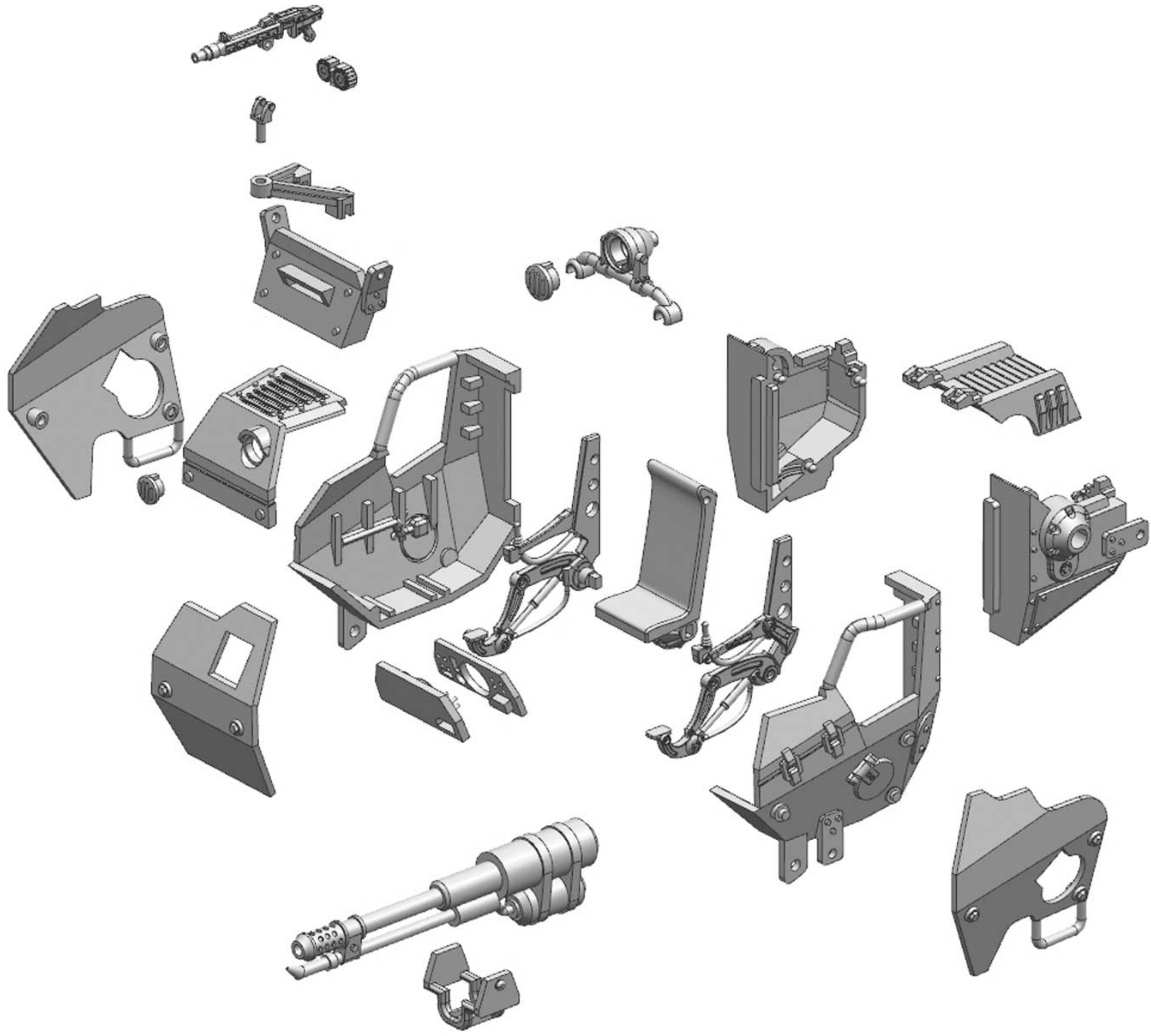
REMEMBER TO  
DRY-FIT  
YOUR PARTS  
BEFORE USING  
ANY GLUE.



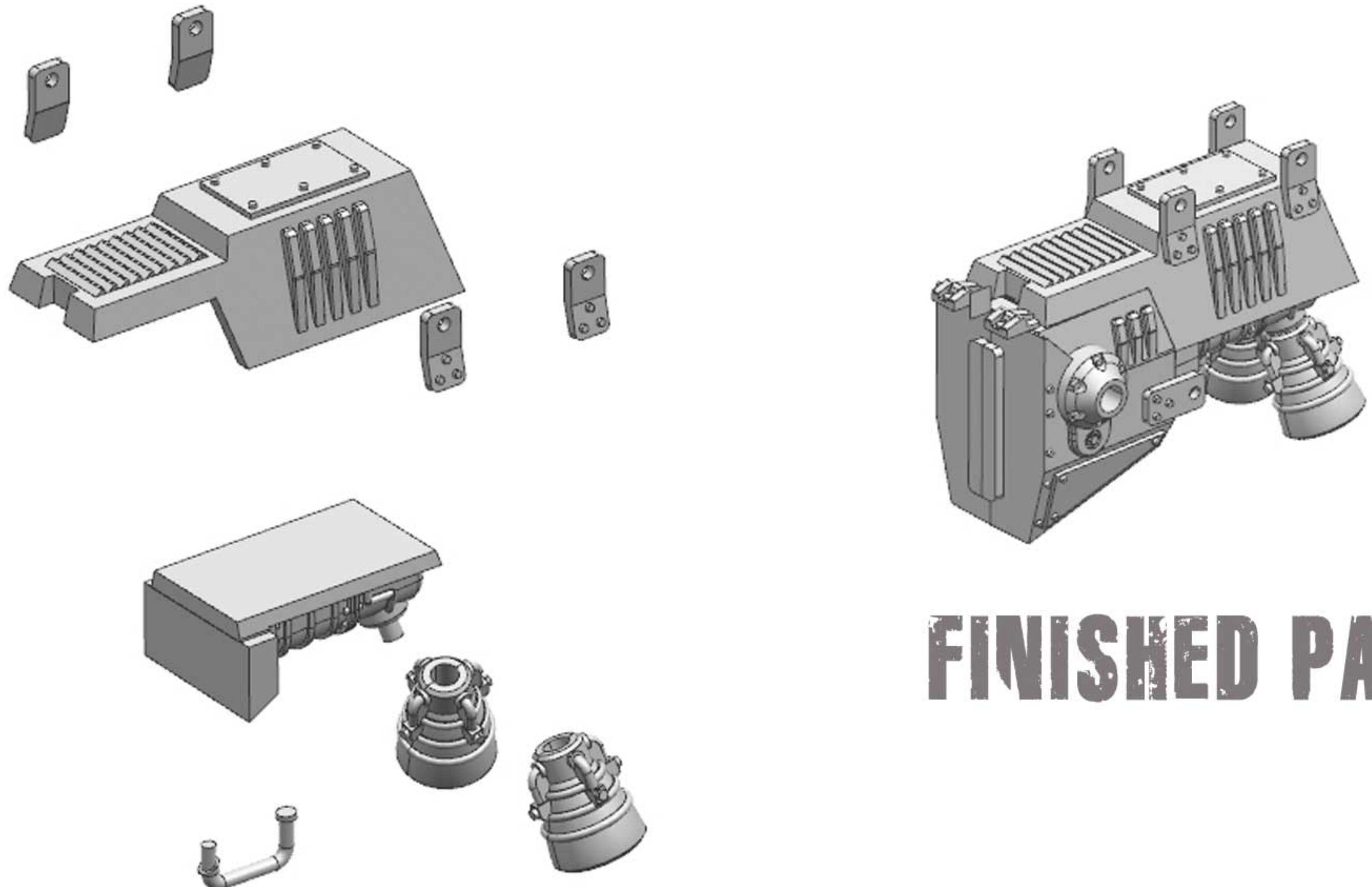
**TOULOUSE**  
**STUDIO**

**K-AX721**

# BODY ASSEMBLY.



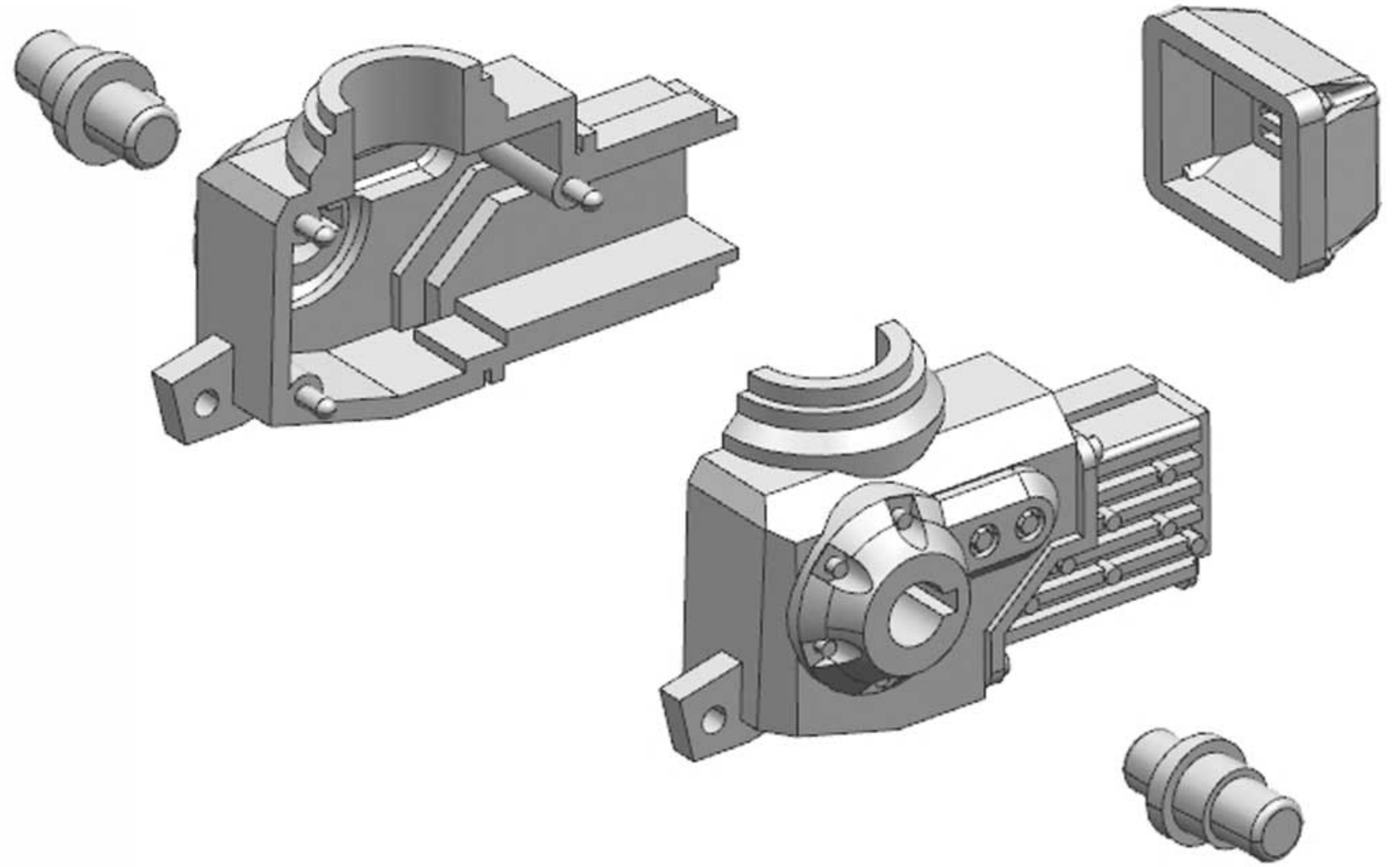
# DETACHABLE LANDING THRUSTERS ASSEMBLY.



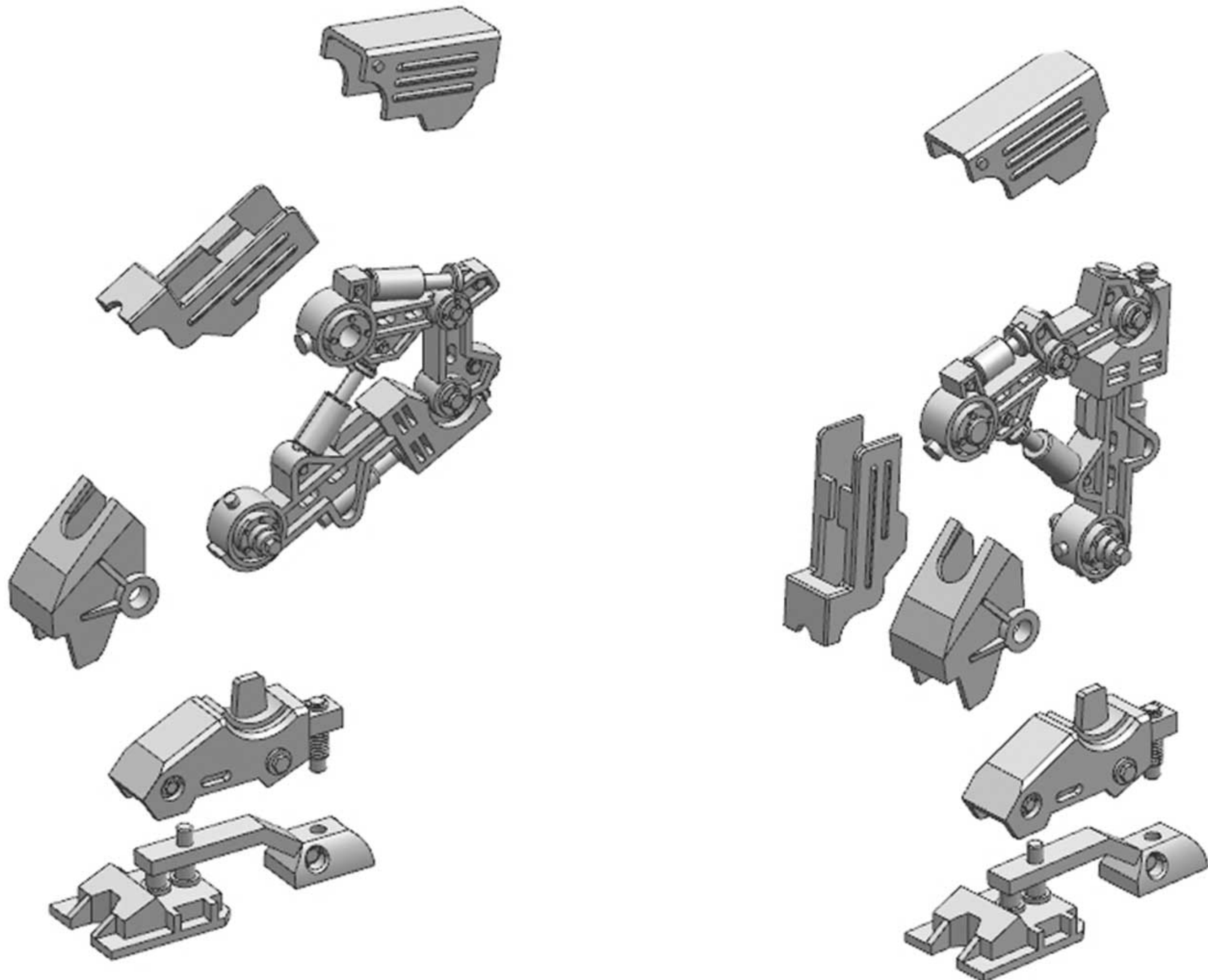
**FINISHED PART.**

# HIPS ASSEMBLY.

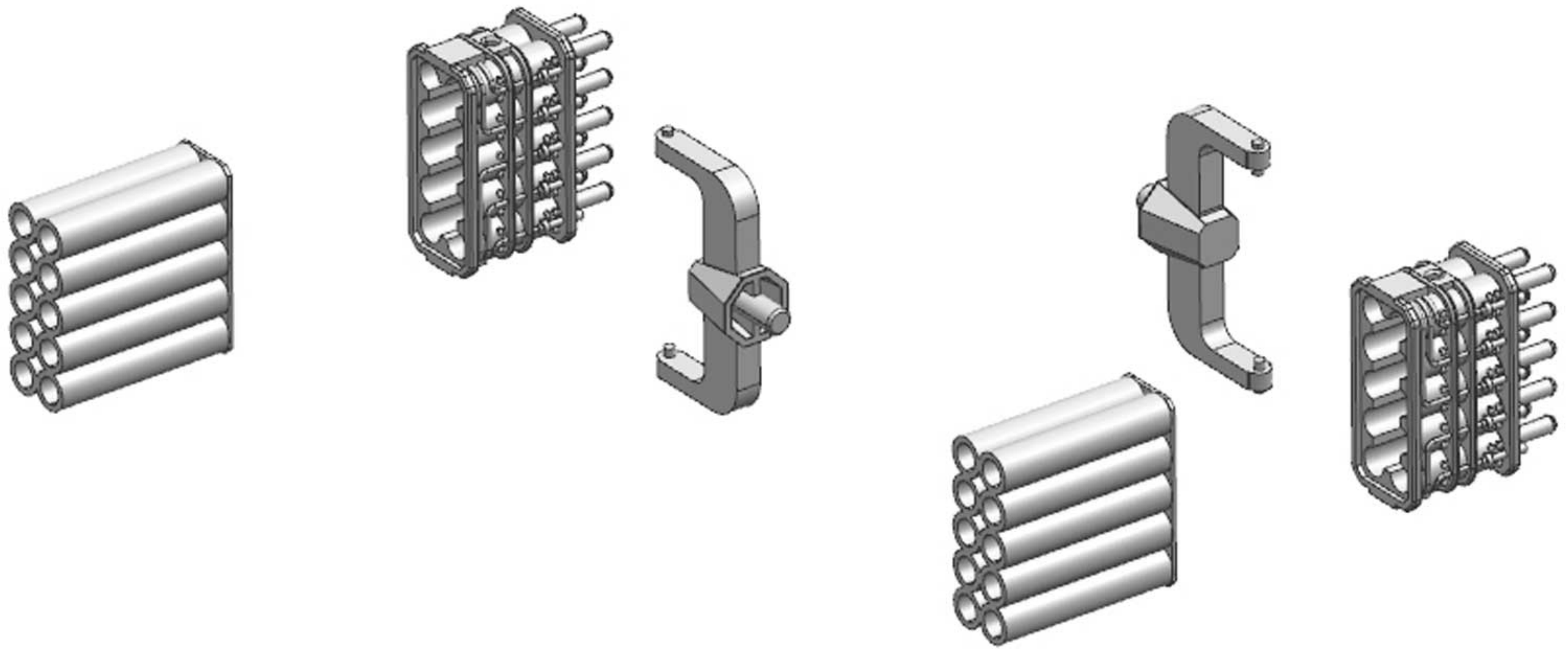
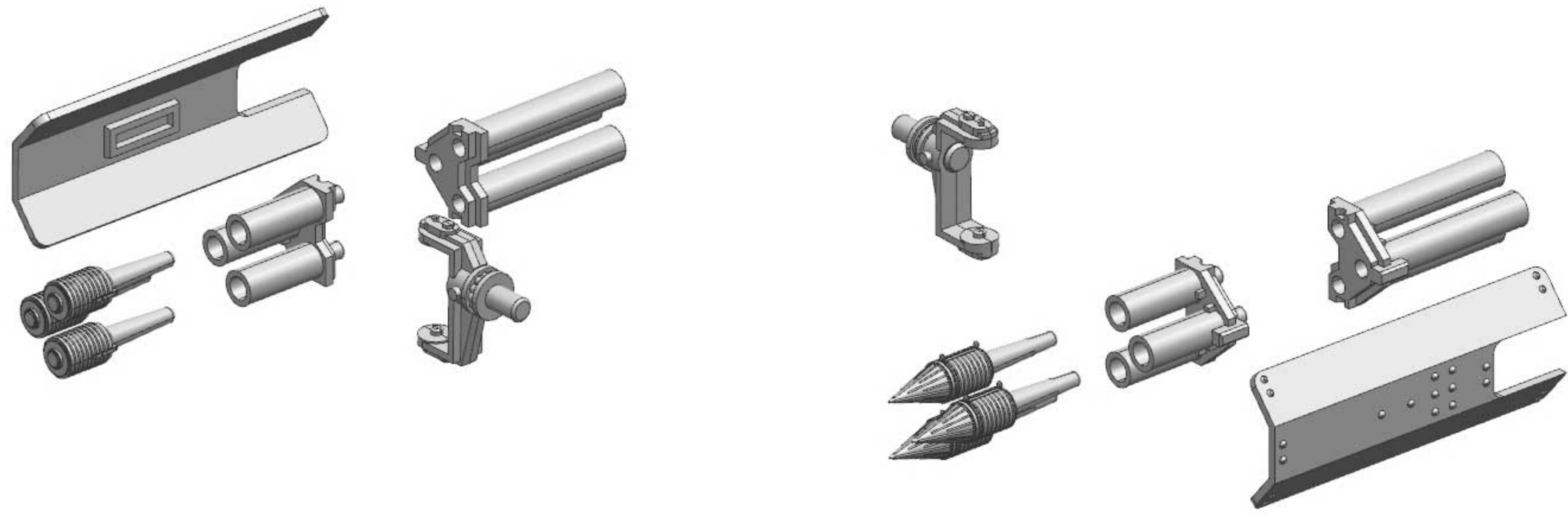
PLEASE NOTE THAT  
YOU CAN INVERSE  
THE LEGS FROM  
LEFT TO RIGHT AND  
VICE VERSA.



# LEGS ASSEMBLY.



# WEAPONS ASSEMBLY.



THIS SET INCLUDES  
A LUFTWAFFE DECAL  
SHEET AND TWO  
UNIT CARDS, ONE FOR  
THE HANS AND ONE  
FOR THE HORST.