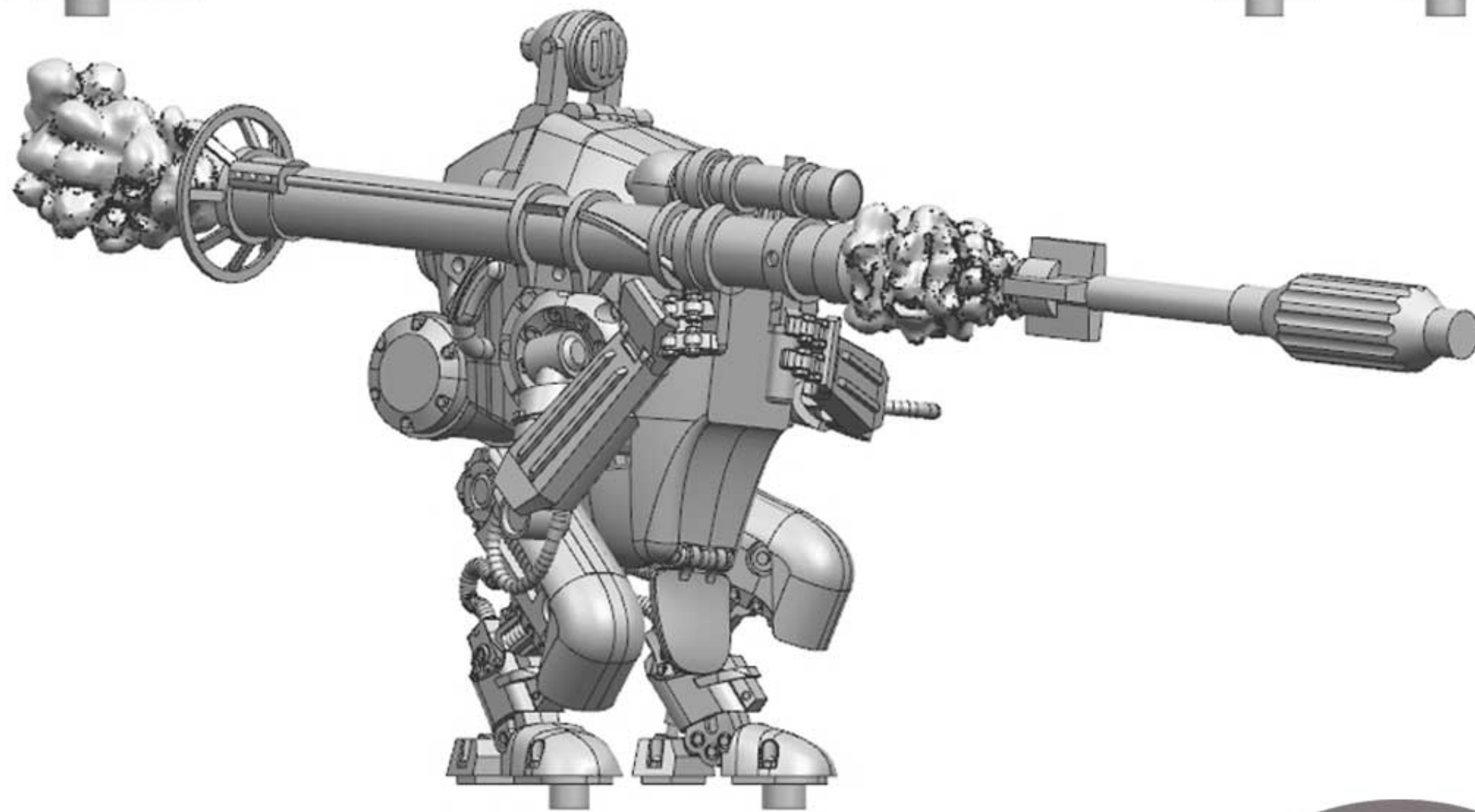
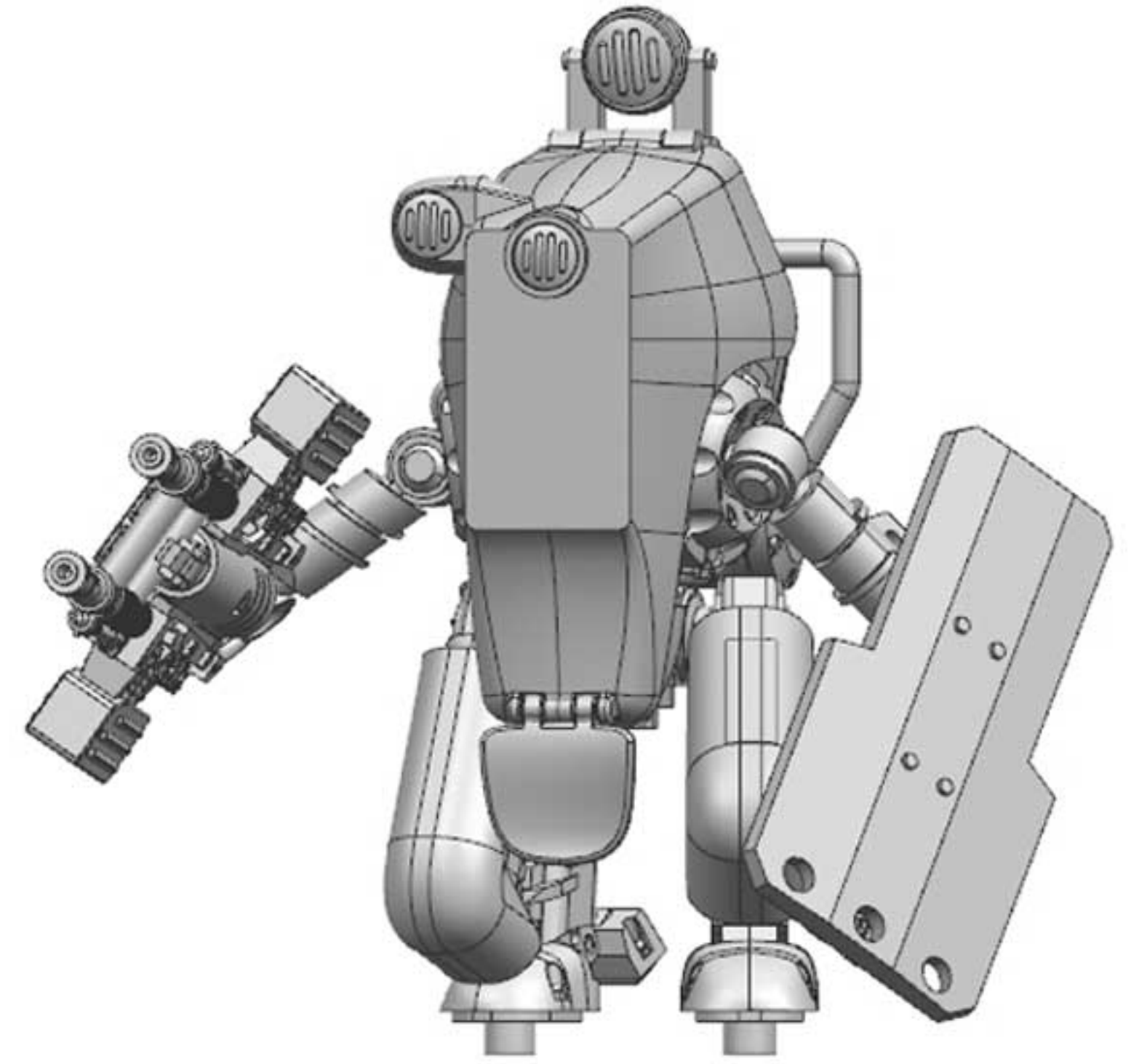
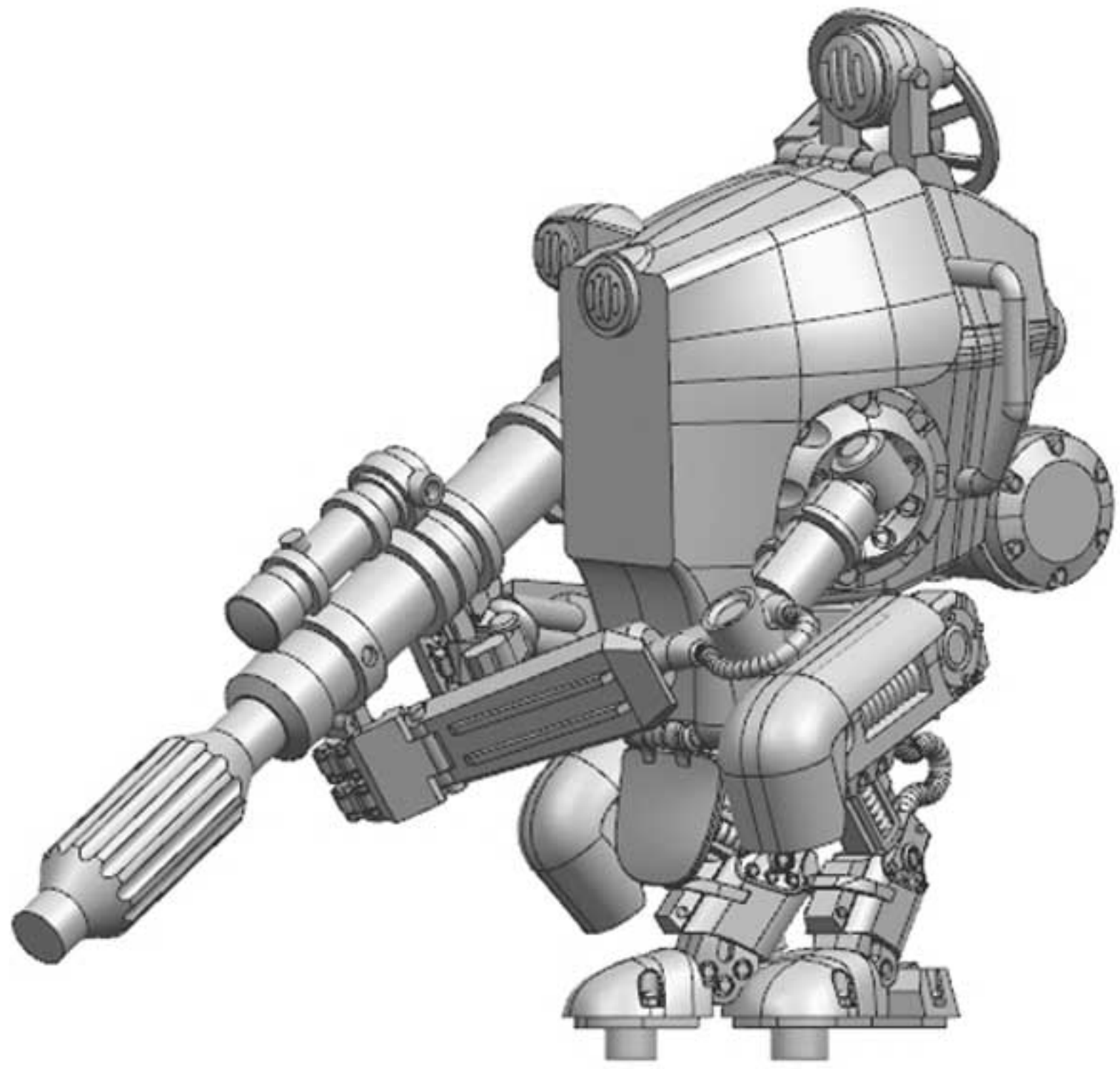


# STEEL GUARDS ANTI-INFANTRY SQUAD ASSEMBLY INSTRUCTIONS



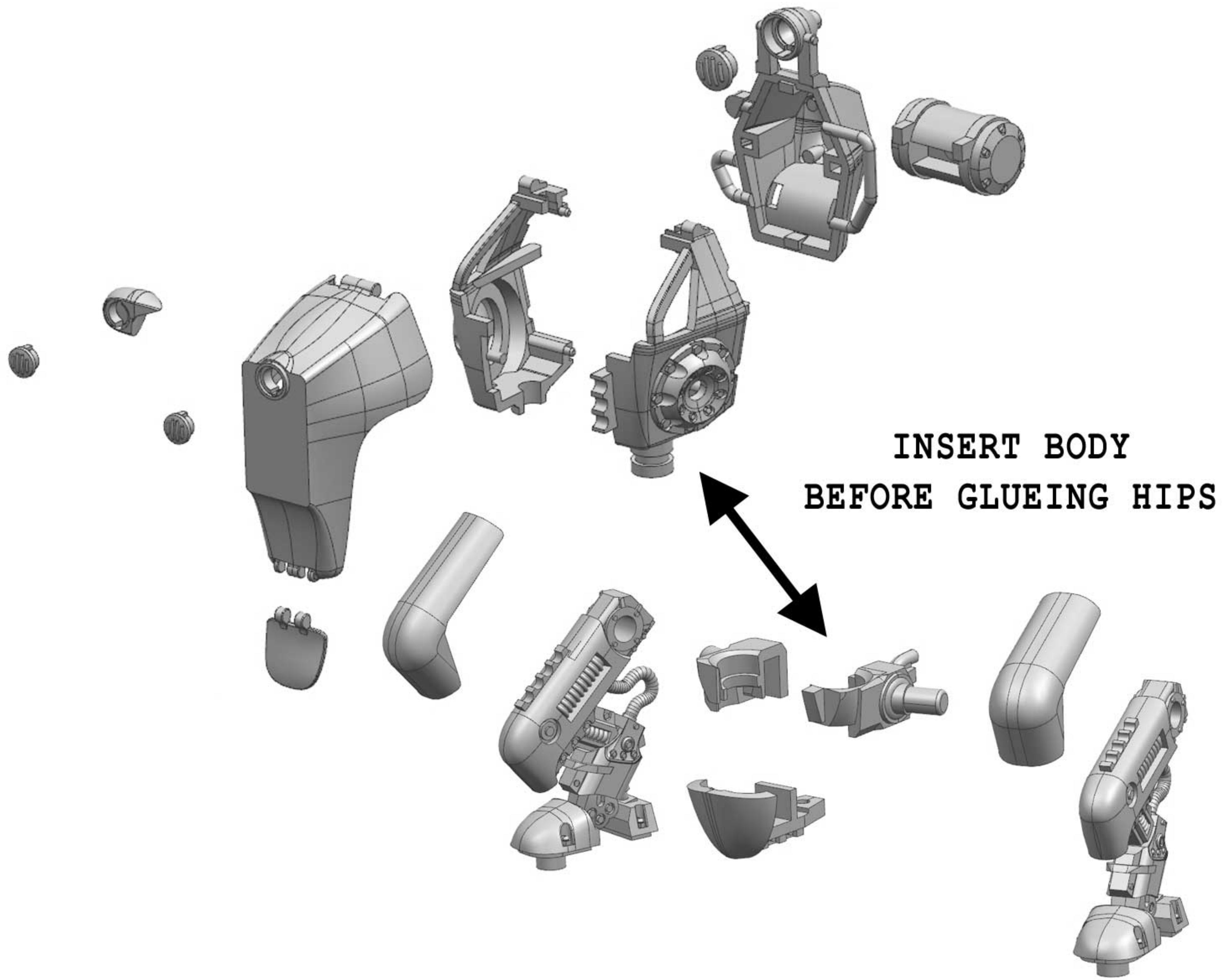
REMEMBER TO  
DRY-FIT  
YOUR PARTS  
BEFORE USING  
ANY GLUE.



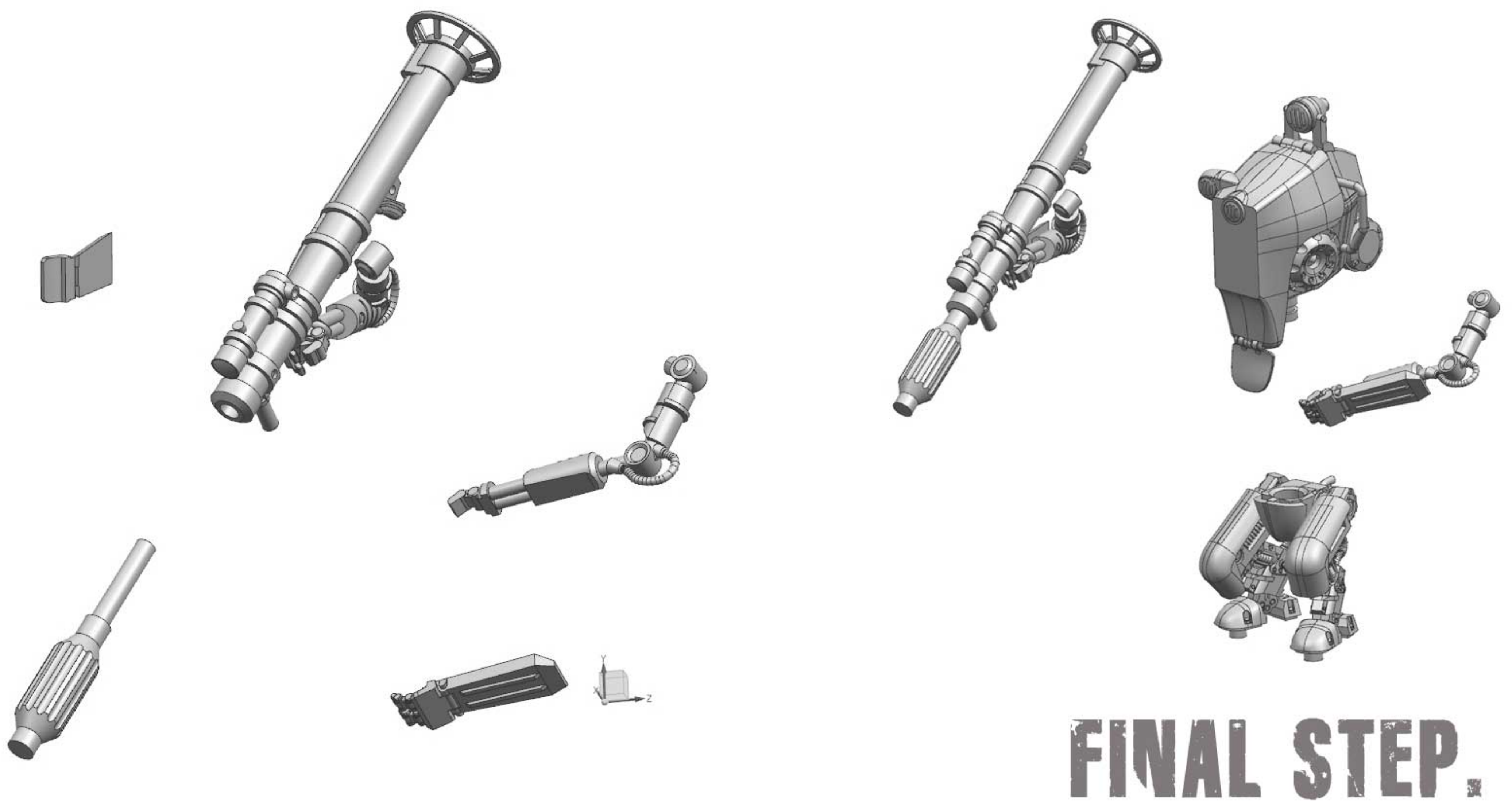
**TOULOUSE**  
**STUDIO**

**K-SU336**

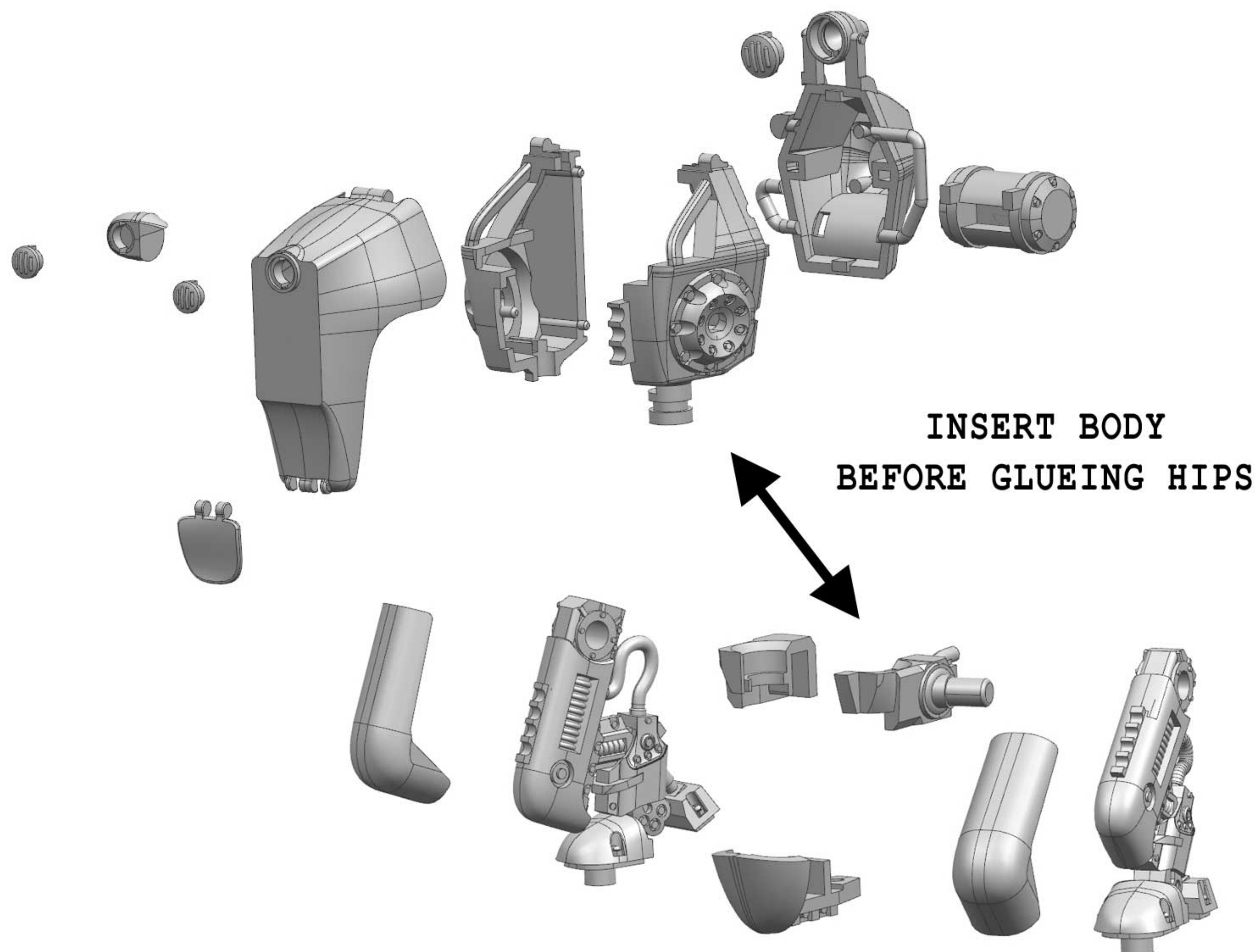
# SOLDIER N.1 BODY AND LEGS ASSEMBLY.



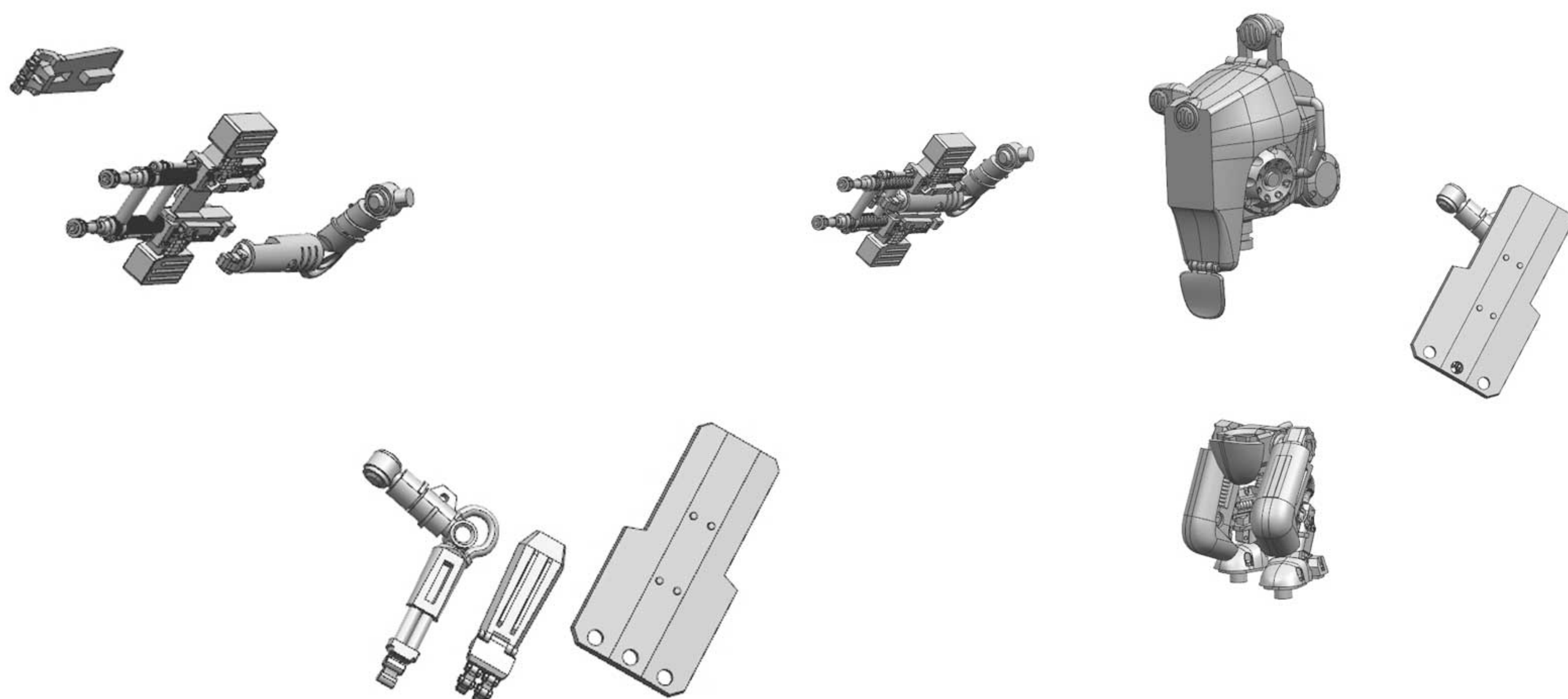
# ARMS AND WEAPONS ASSEMBLY.



# SOLDIER N.2 BODY AND LEGS ASSEMBLY.

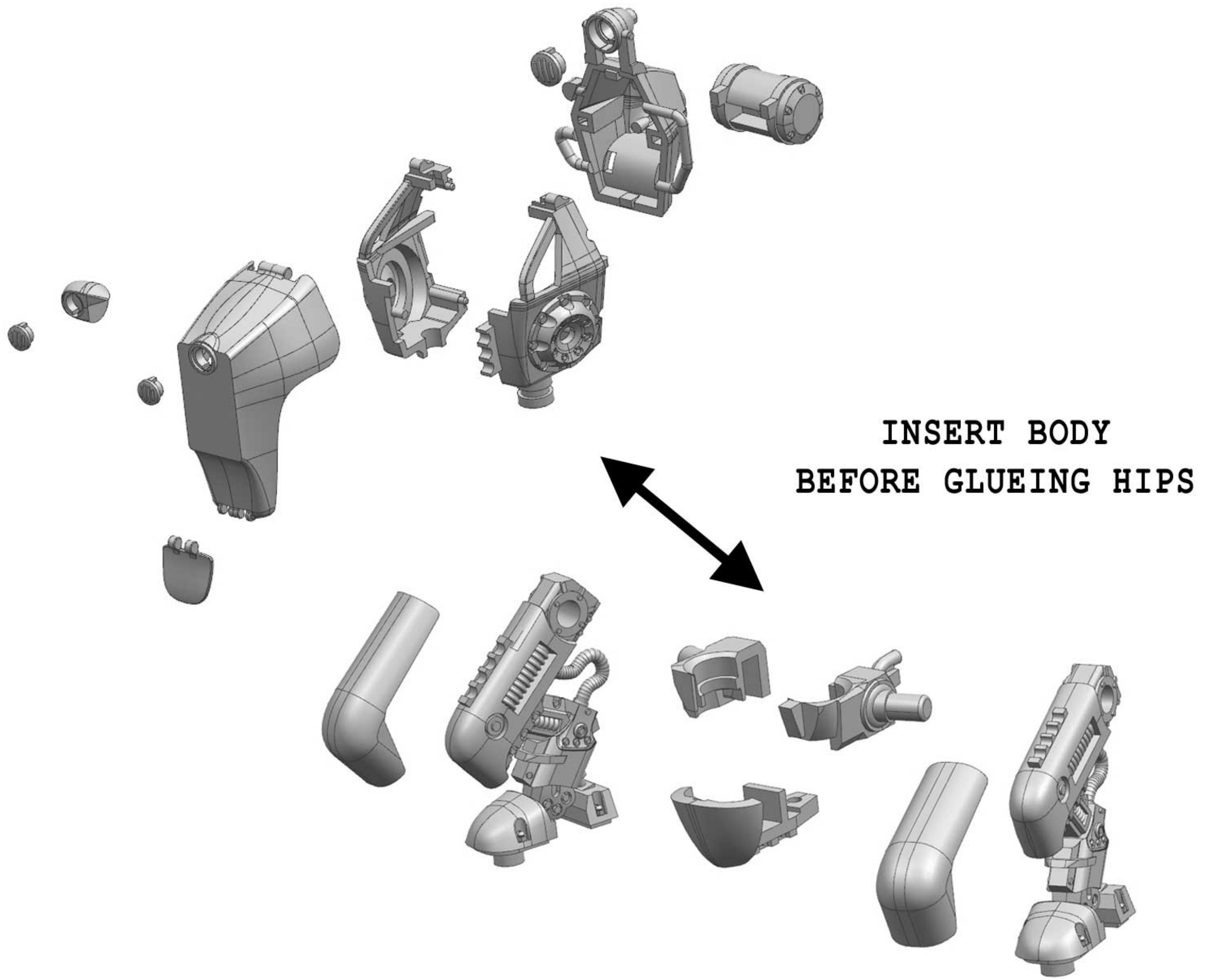


# ARMS AND WEAPONS ASSEMBLY.

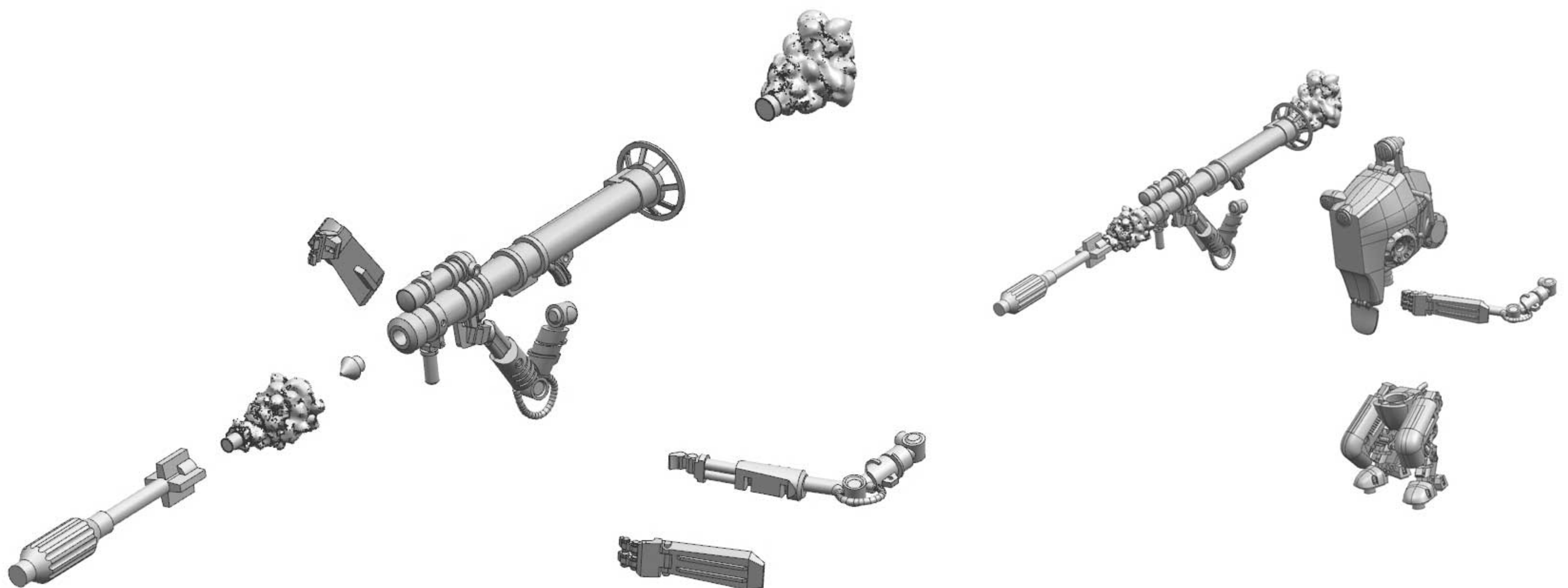


**FINAL STEP.**

# SOLDIER N.3 BODY AND LEGS ASSEMBLY.



# ARMS AND WEAPONS ASSEMBLY.



**FINAL STEP.**