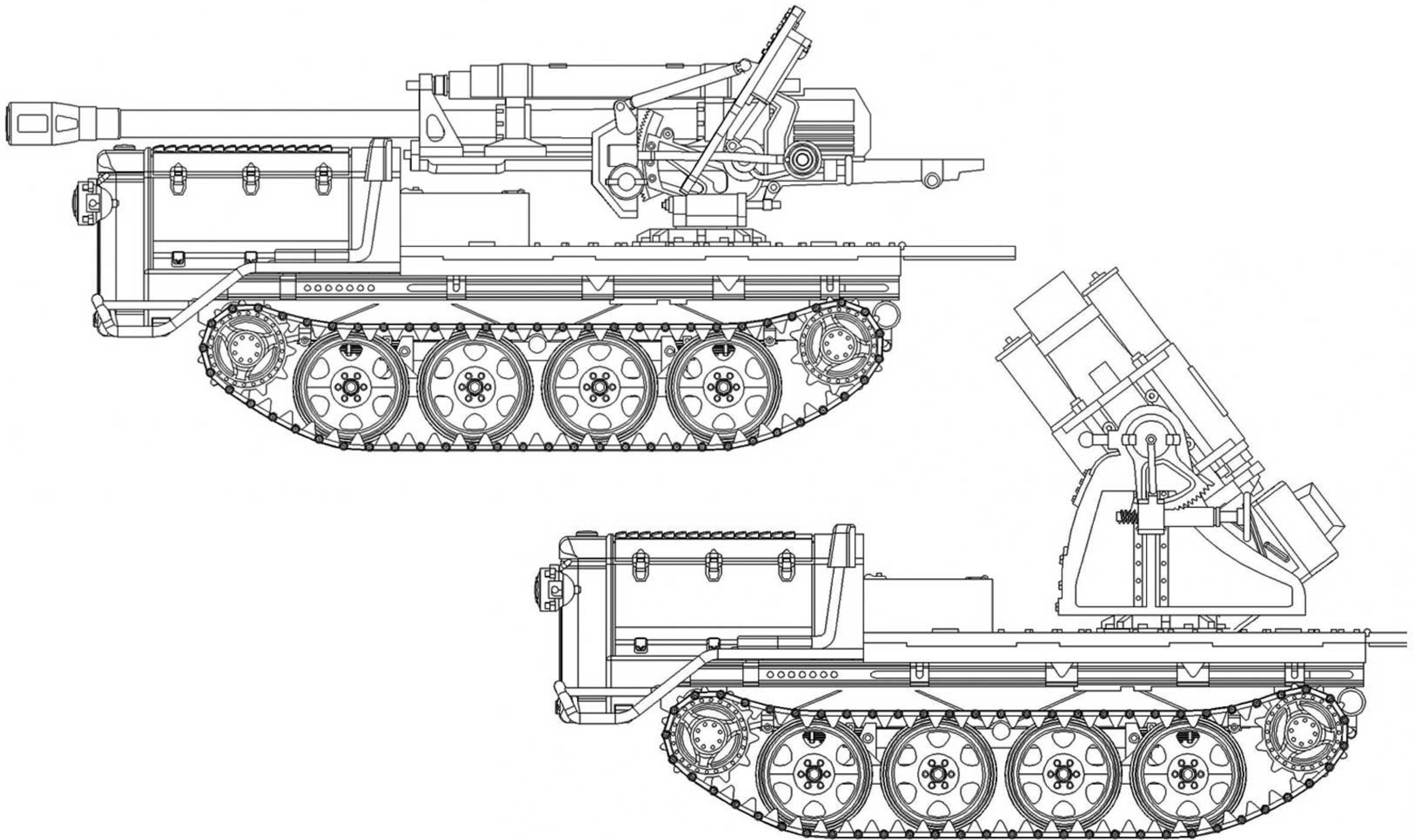


SSU/PLA/SPETSNAZ RED RAIN/RED FURY

ASSEMBLY INSTRUCTIONS

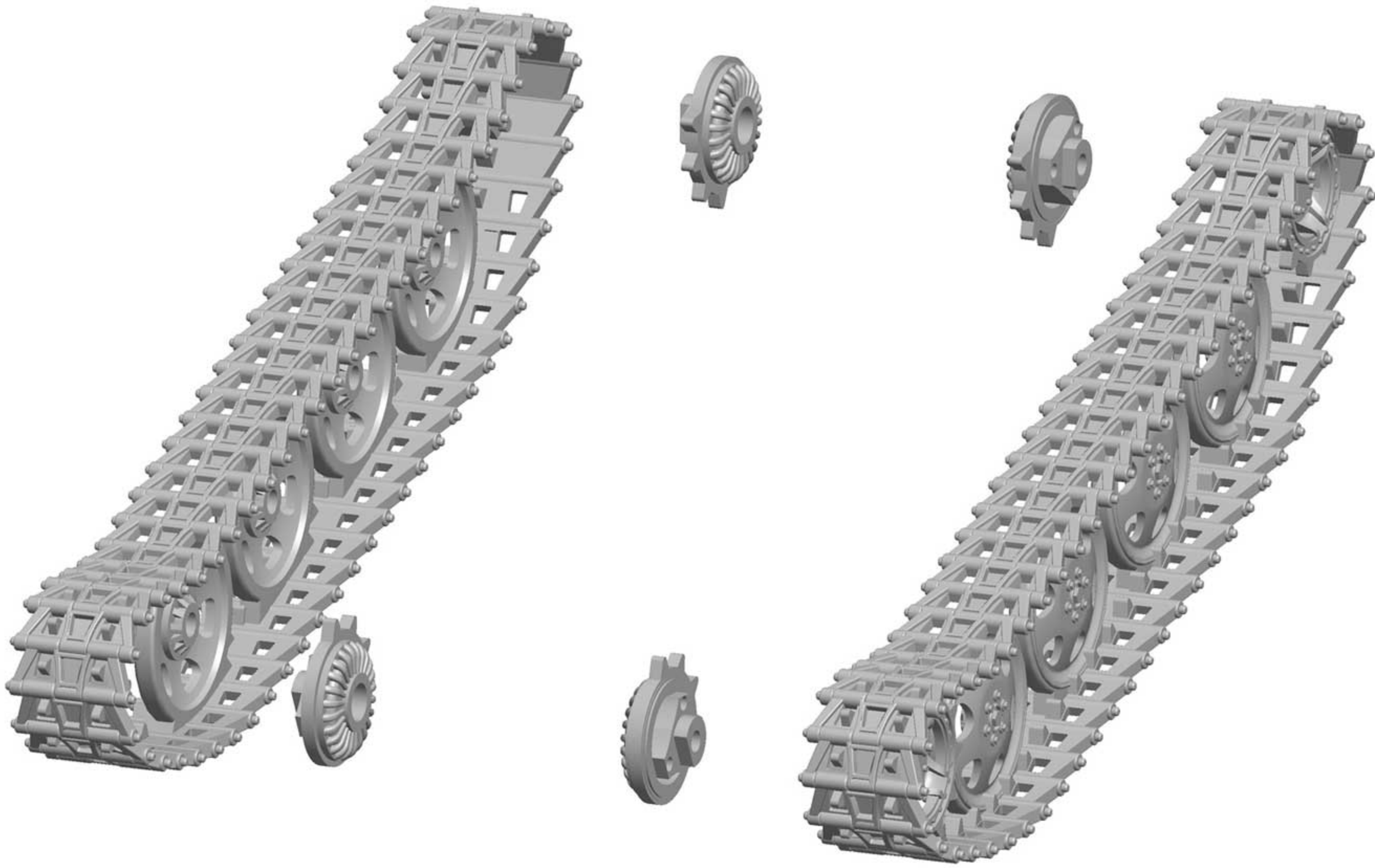


REMEMBER TO
DRY-FIT
YOUR PARTS
BEFORE USING
ANY GLUE.

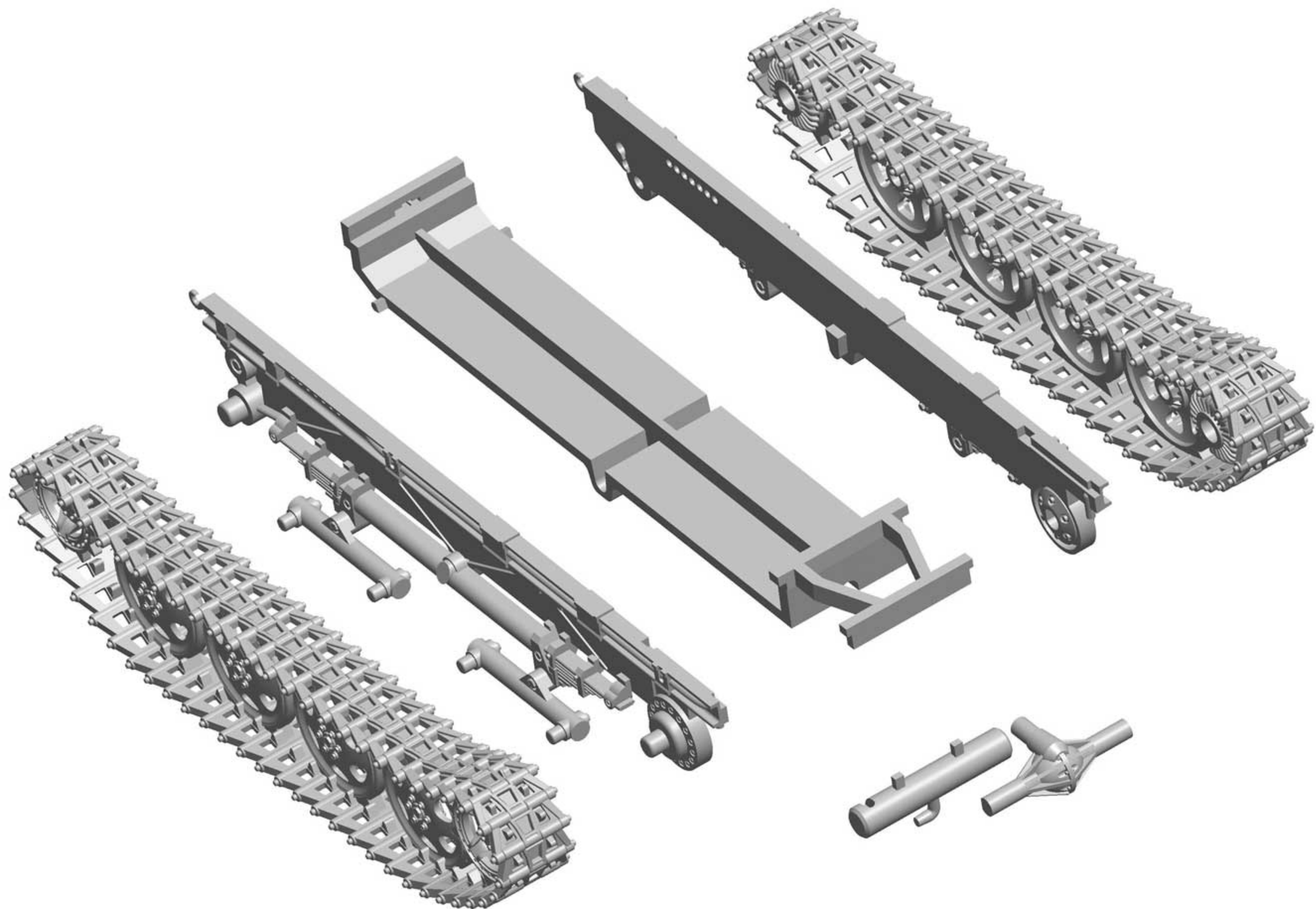


K-SU539

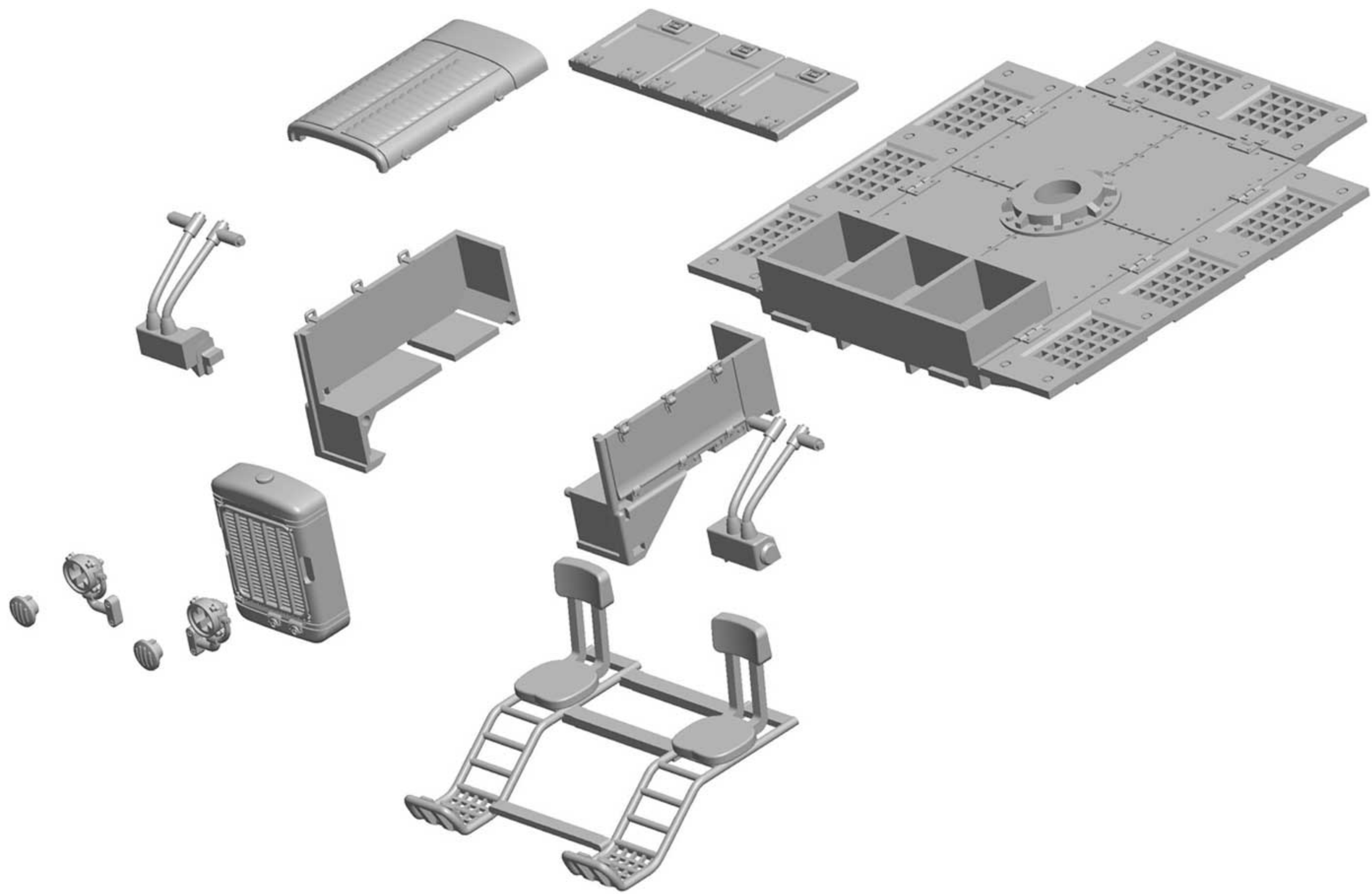
TRACKS



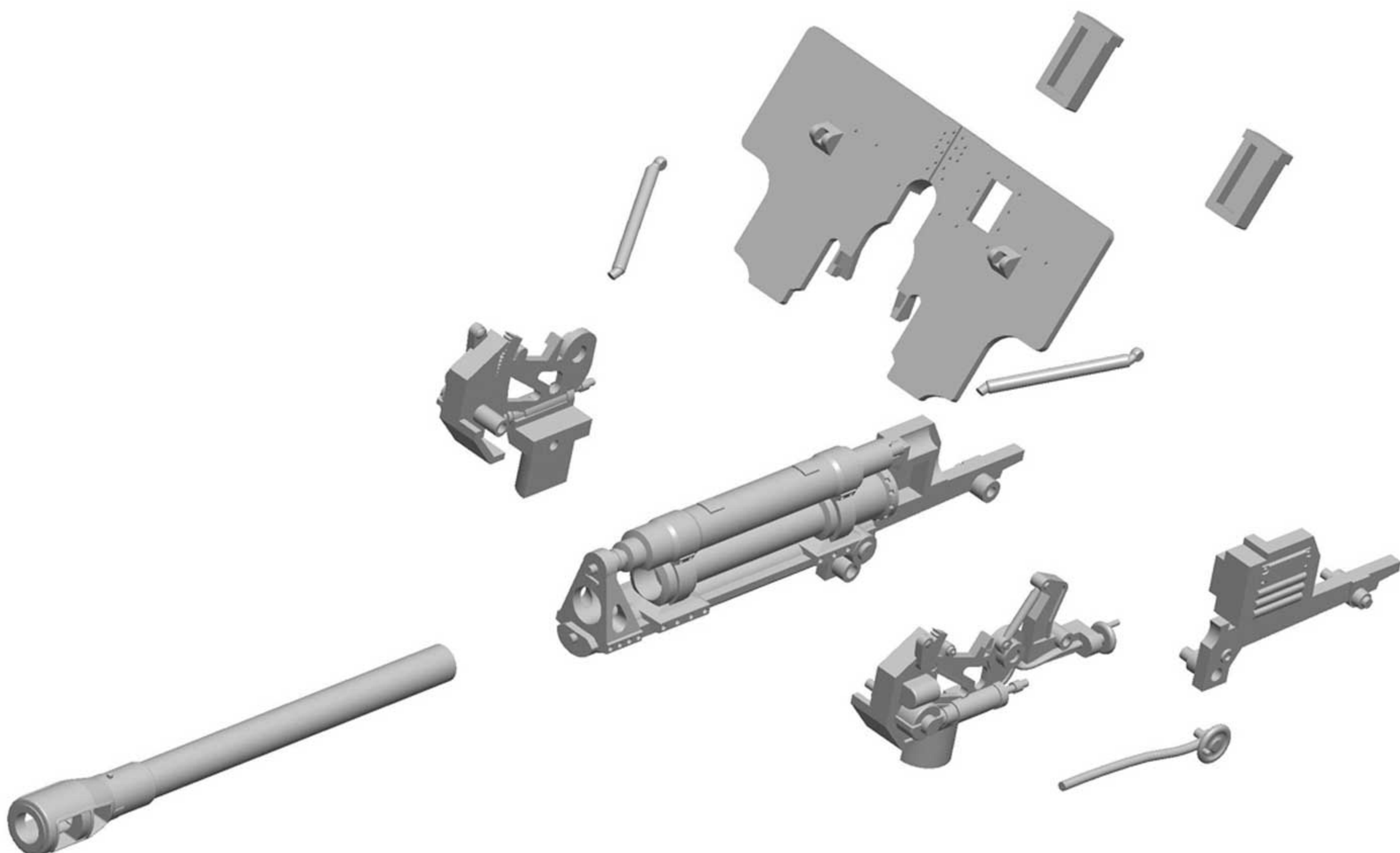
LOWER HULL



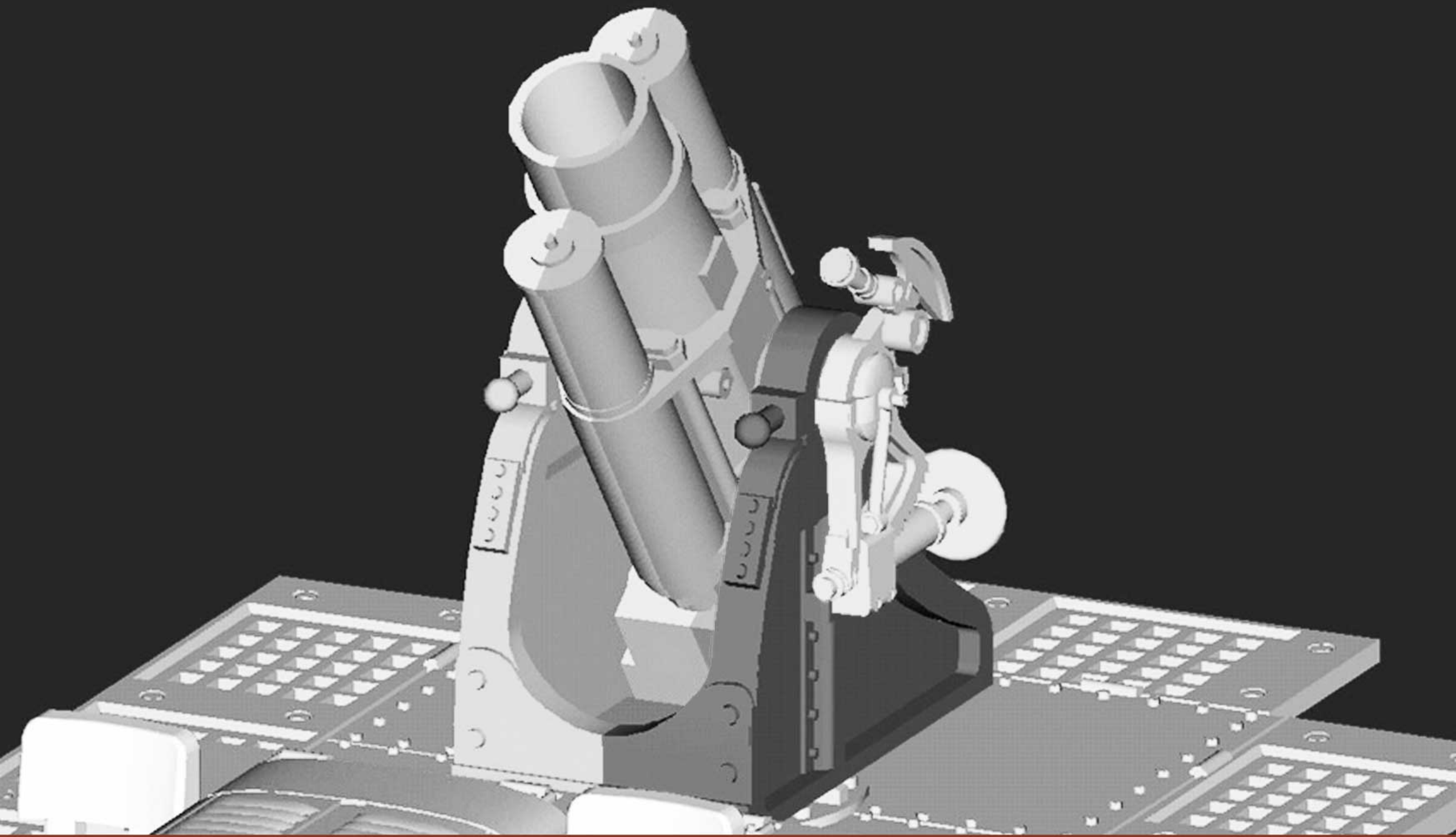
UPPER BODY



MAIN WEAPON 1



MAIN WEAPON 2



SIDE VIEW

