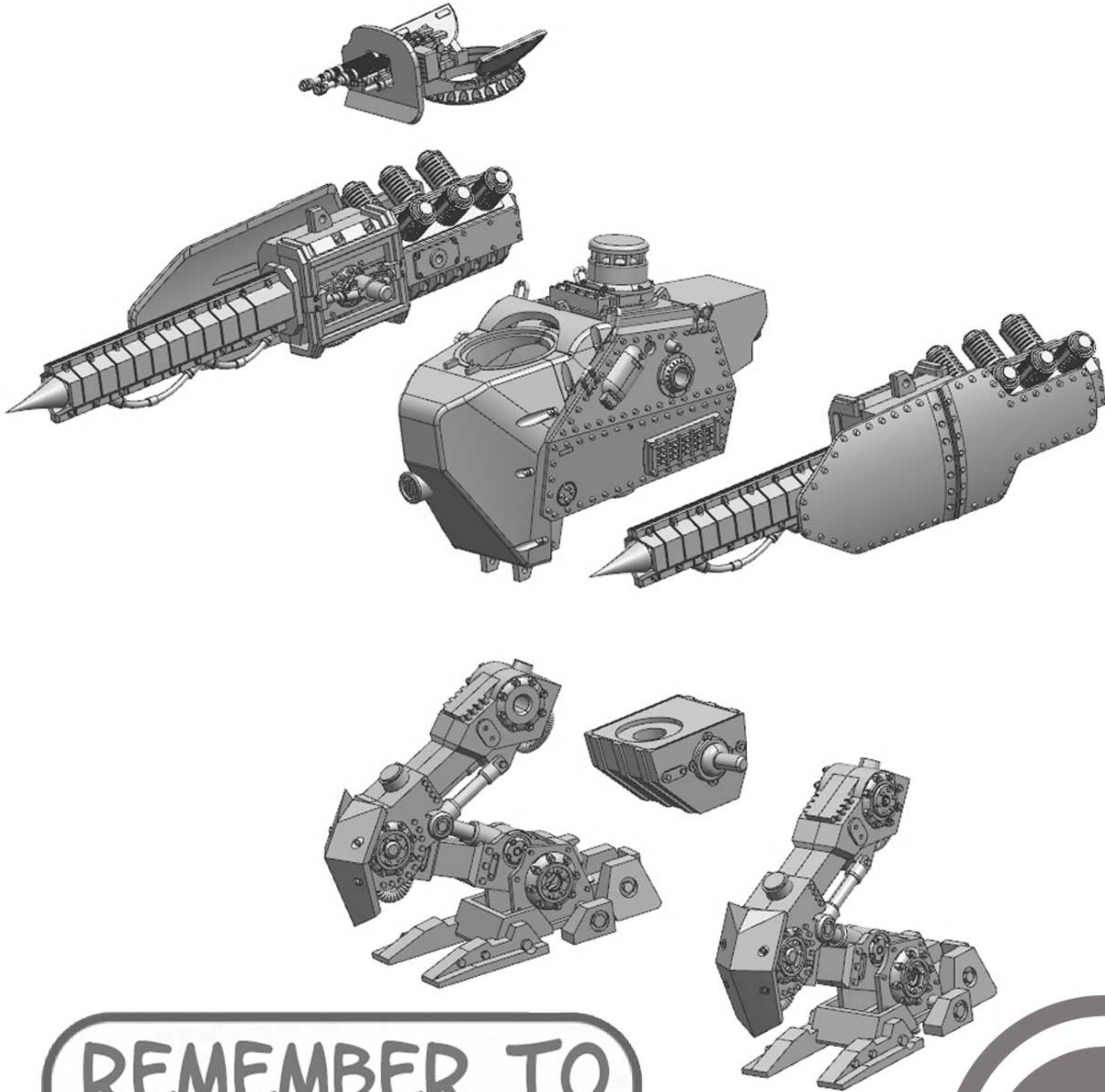


# TYPE 47

## KV3D HEAVY TESLA WALKER



REMEMBER TO  
DRY-FIT  
YOUR PARTS  
BEFORE USING  
ANY GLUE.

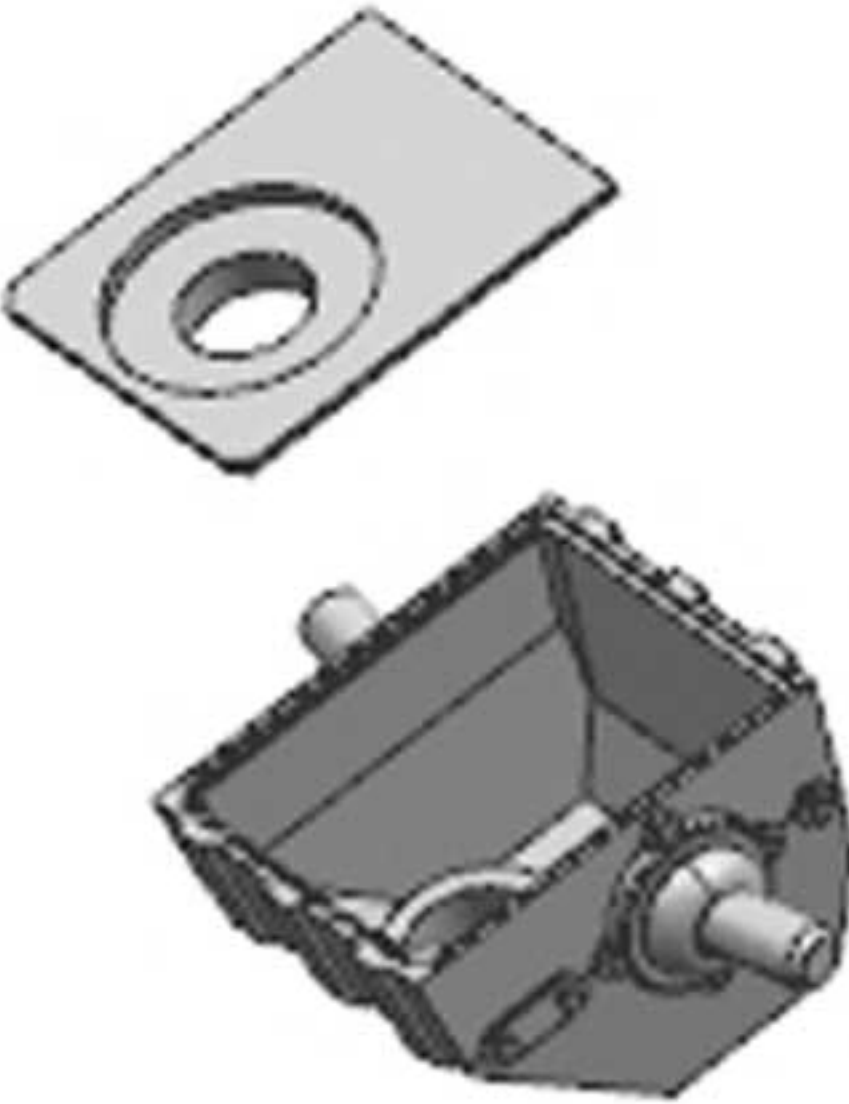


**TOLOKAT**  
**STUDIO**

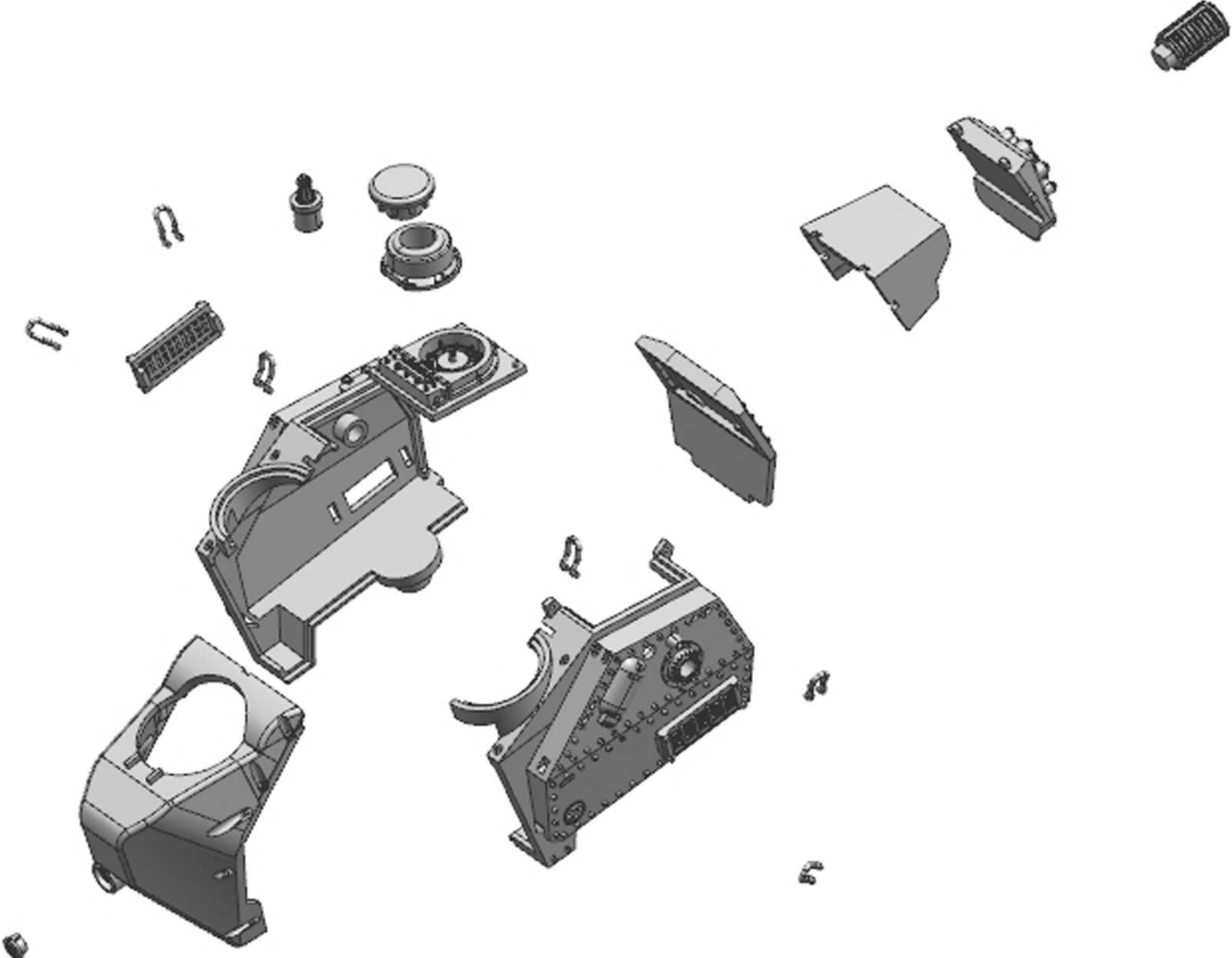
**K-SU724**



# HIPS ASSEMBLY.

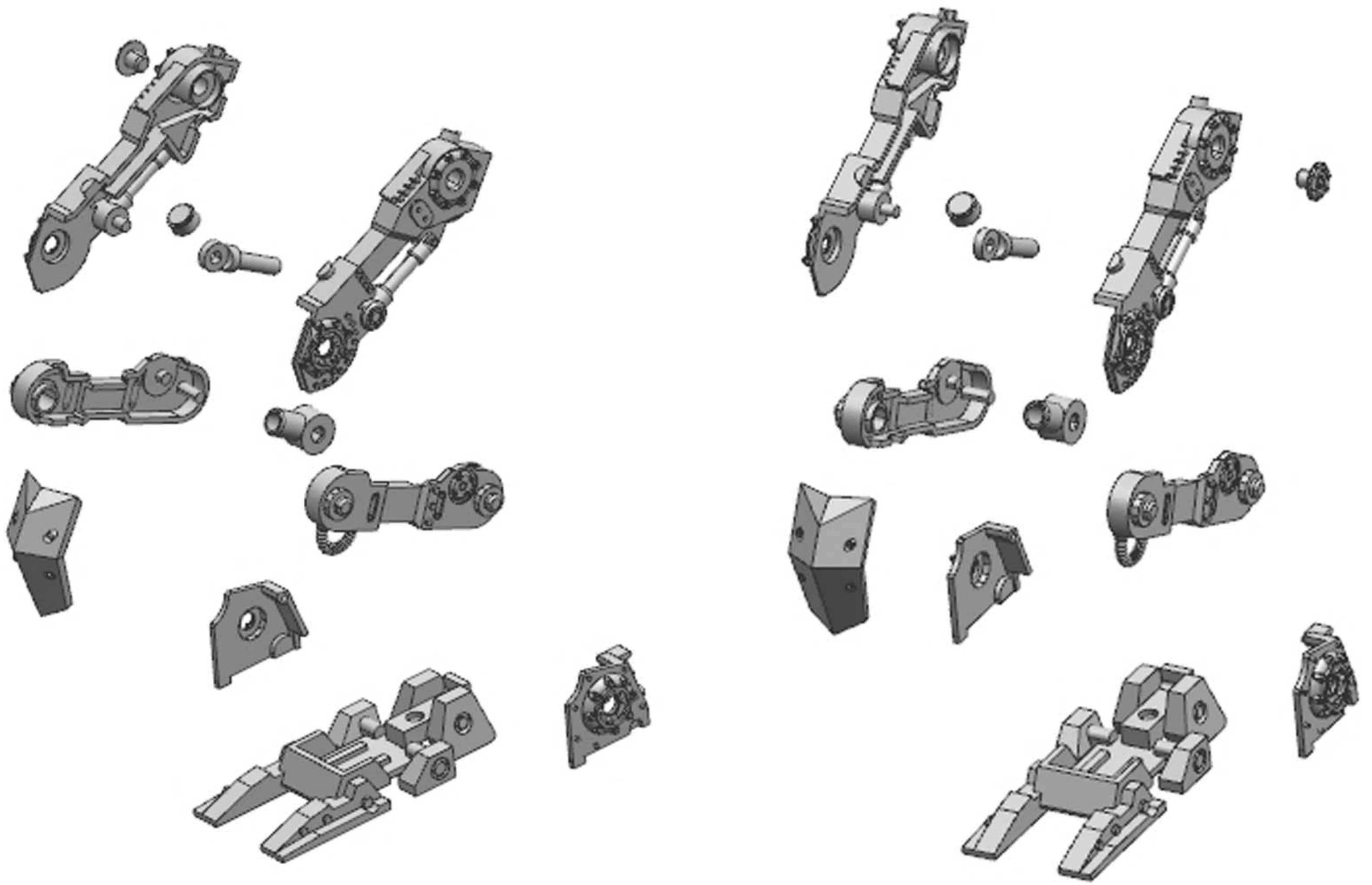


# MAIN BODY ASSEMBLY.

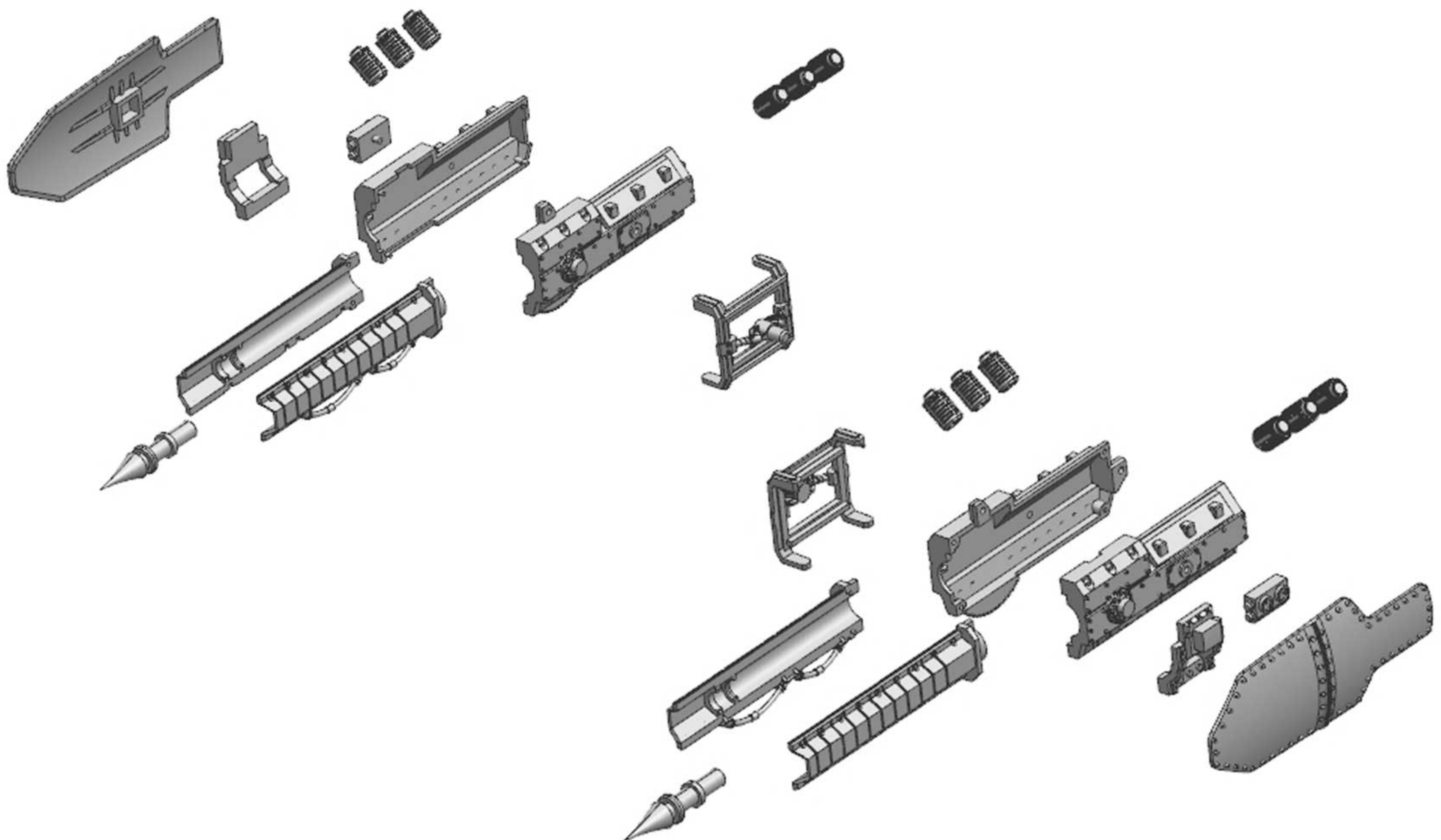




# LEGS L+R ASSEMBLY.

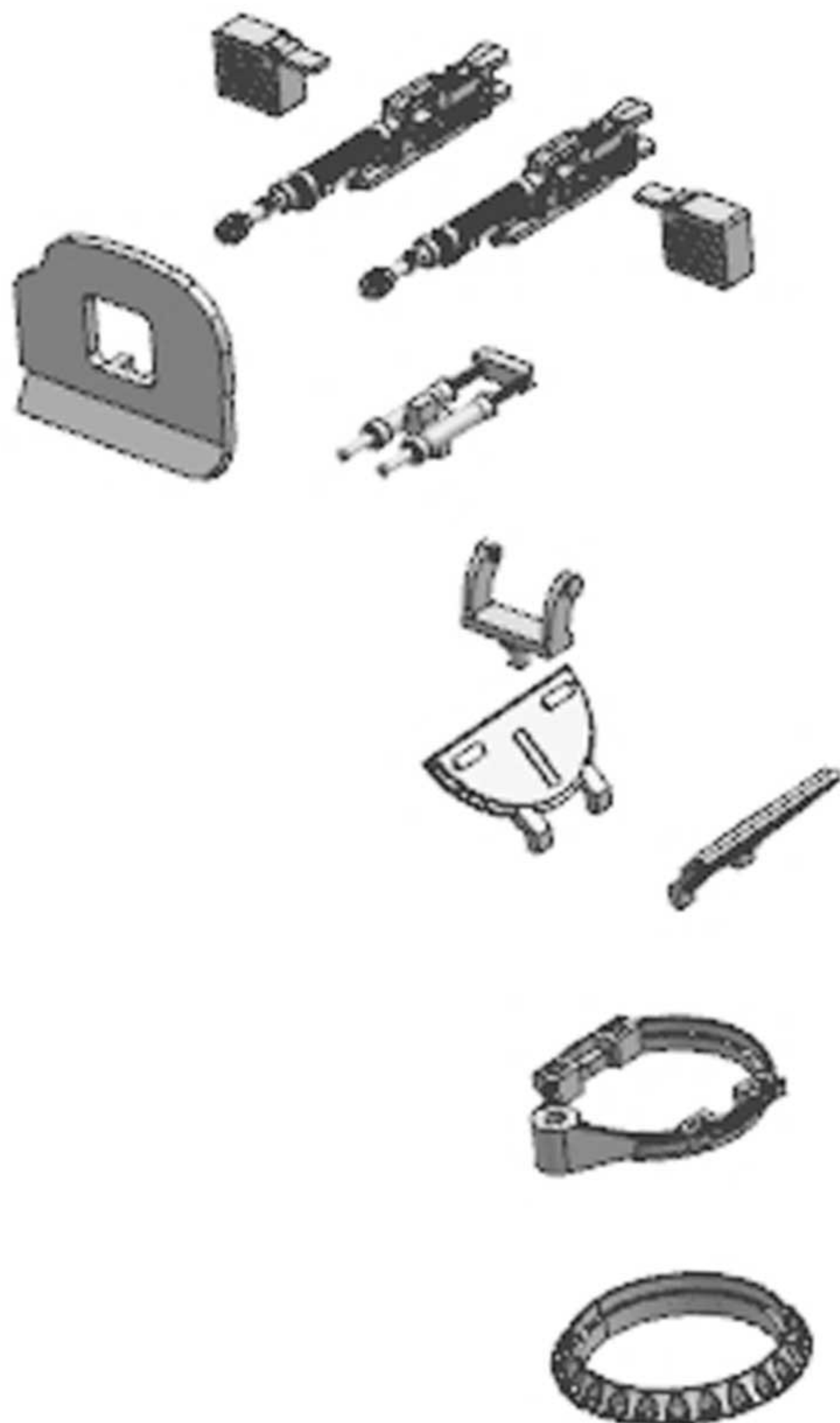


# HEAVY TESLA GUNS L+R ASSEMBLY.





# COMMANDER CUPOLA HMG ASSEMBLY.



THIS SET INCLUDES  
A SSU DECAL SHEET  
AND TWO UNIT CARDS  
ONE FOR THE SSU BLOC  
AND ONE FOR THE PLA  
CHINESE FACTION.

