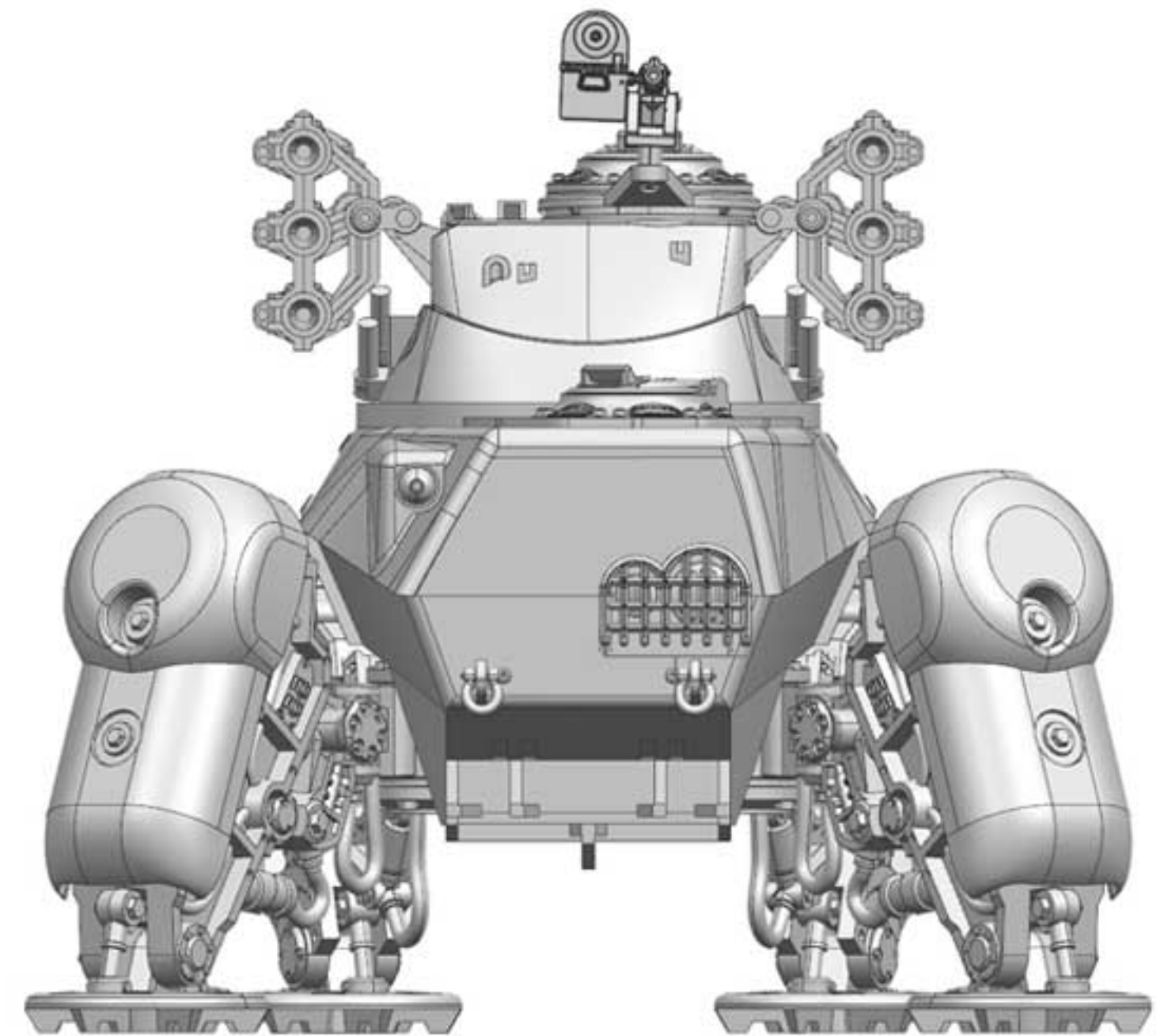
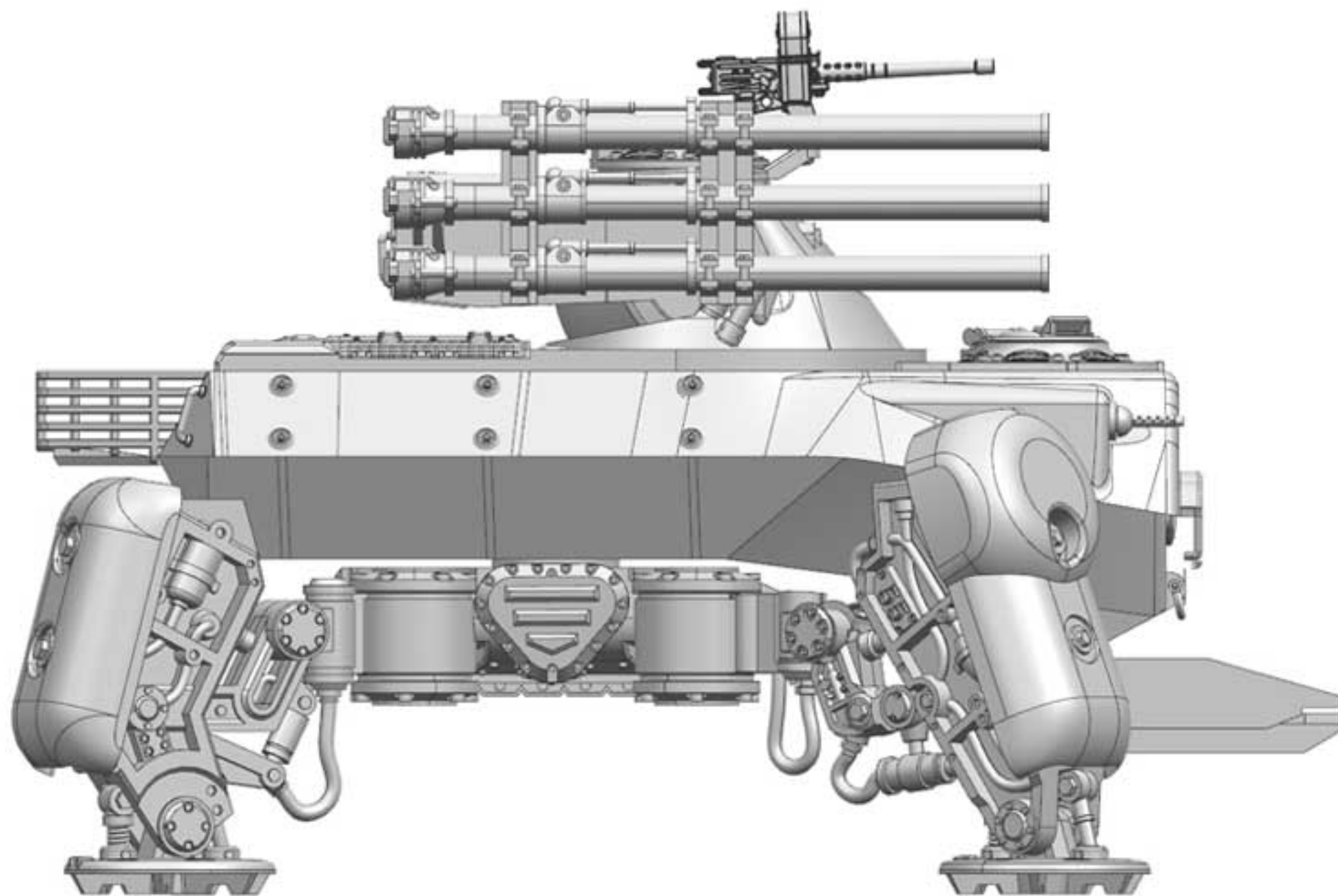
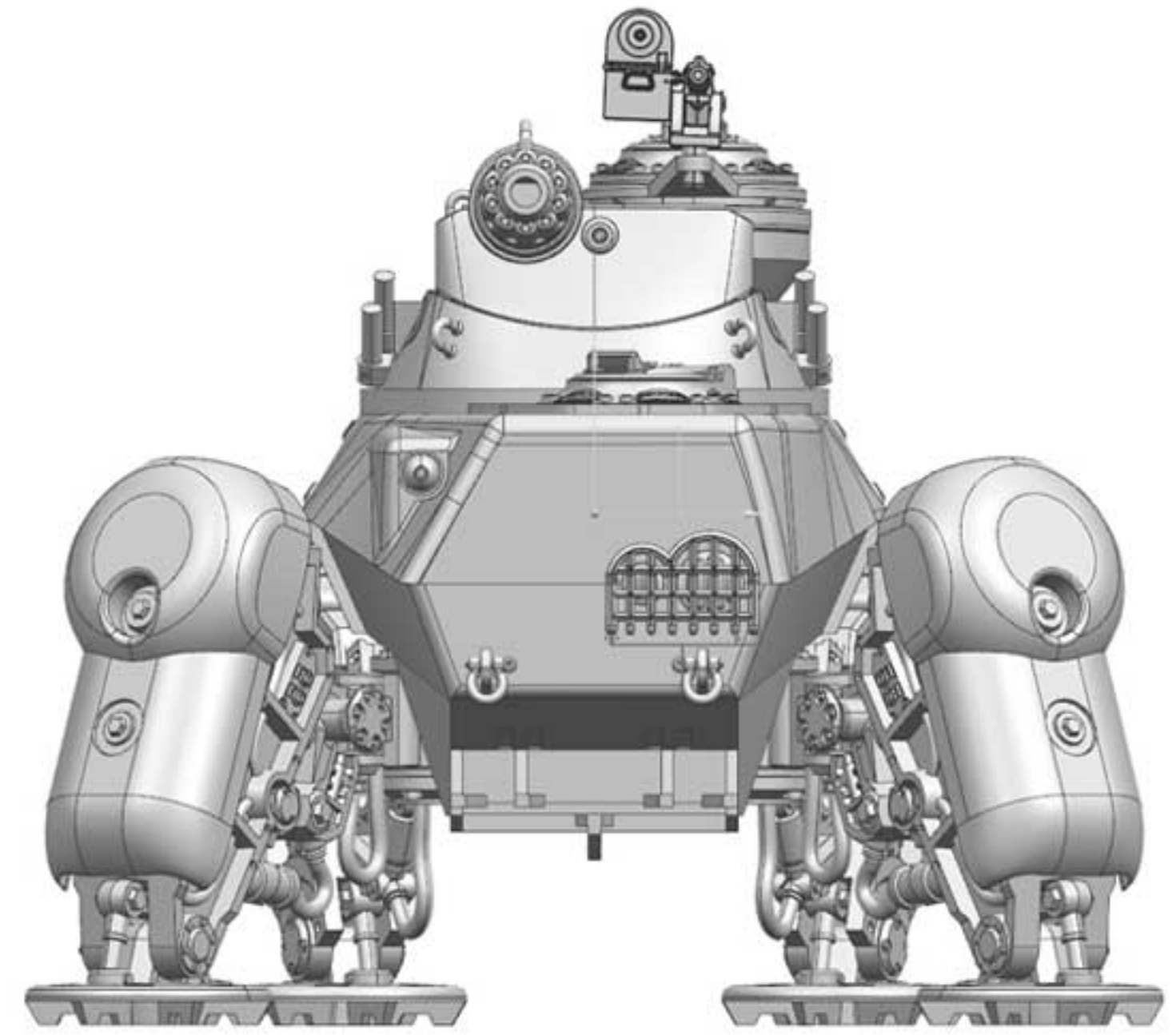
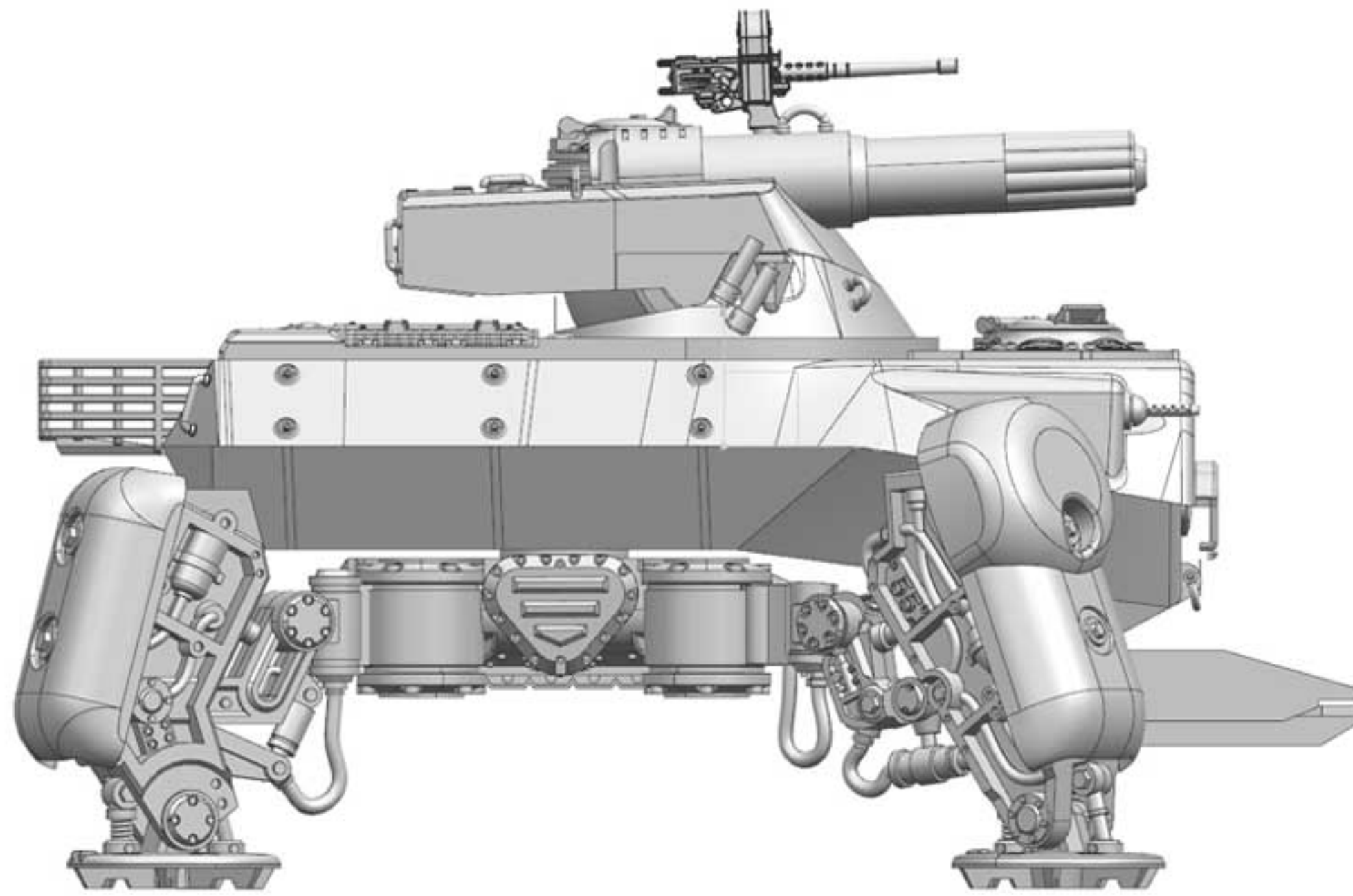


ALLIES/USMC SIX SHOOTER/BULLDOG

ASSEMBLY INSTRUCTIONS



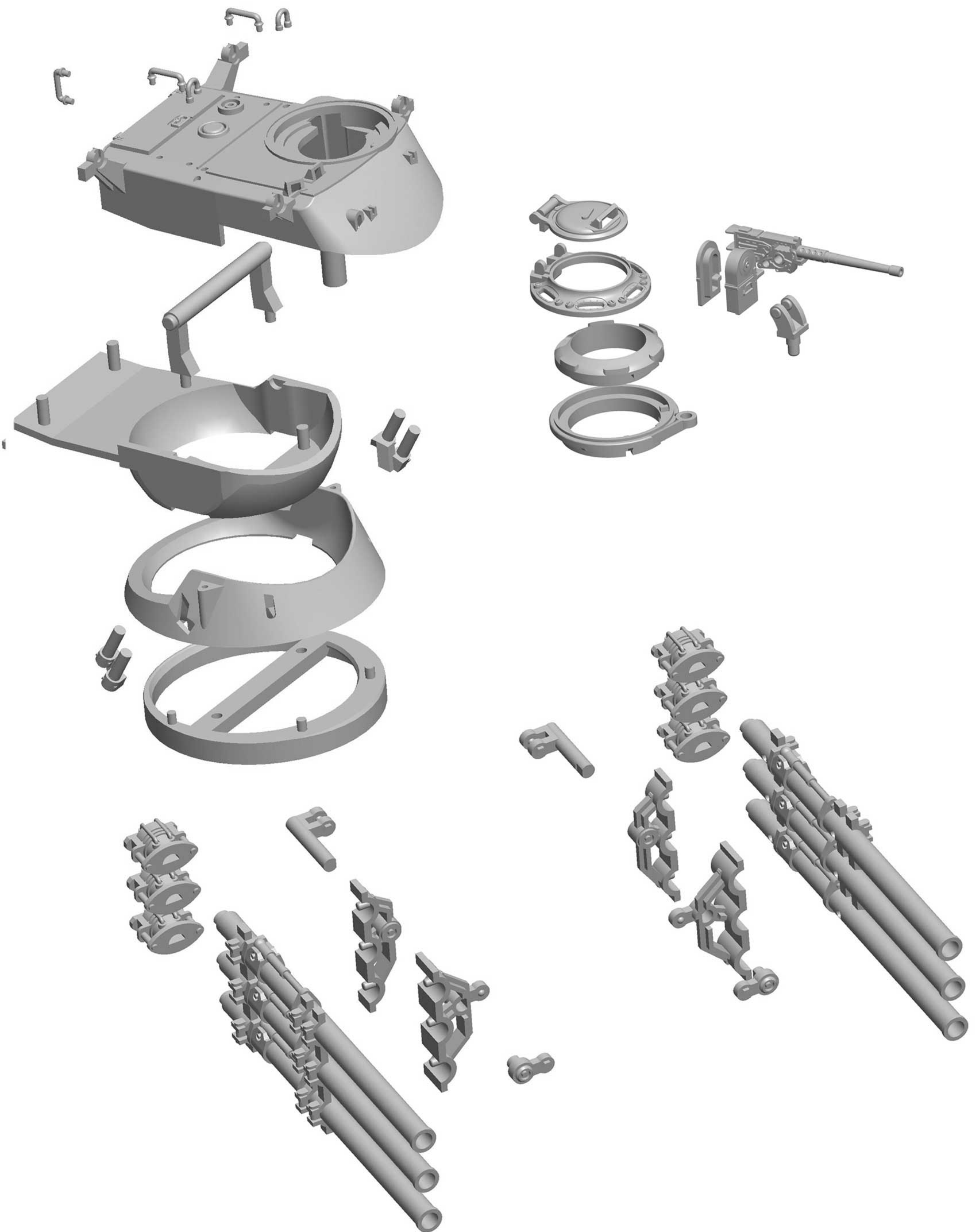
REMEMBER TO
DRY-FIT
YOUR PARTS
BEFORE USING
ANY GLUE.



**TOYFIGHT
STUDIO**

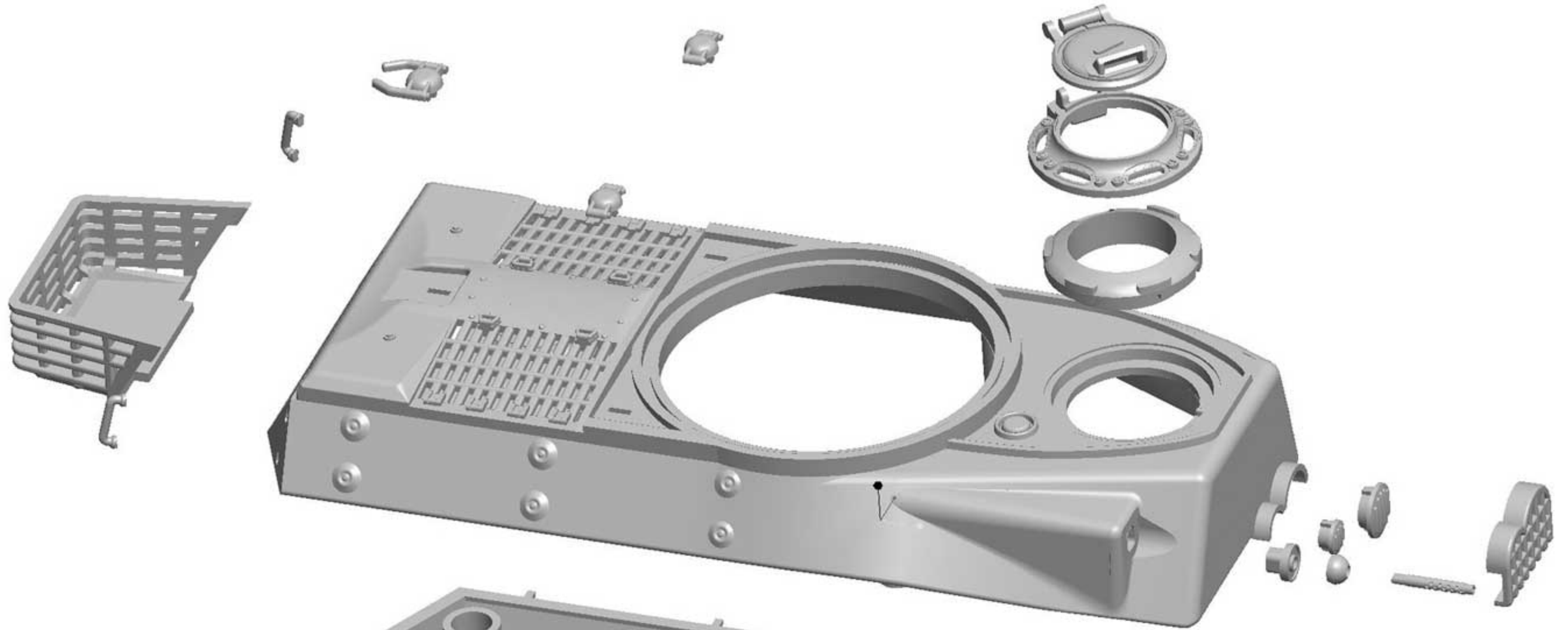
K-AL800

SIX SHOOTER TURRET

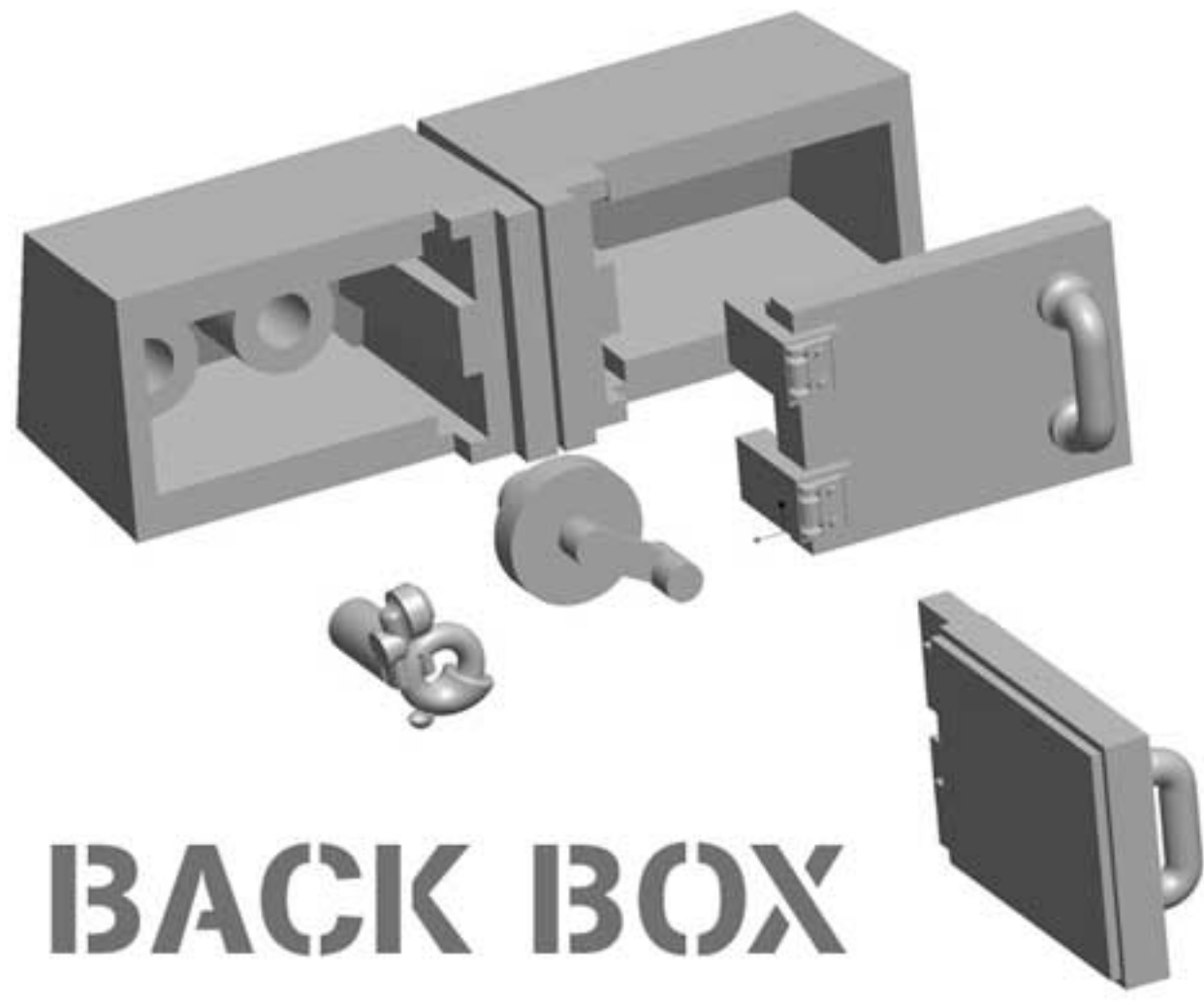


BODY AND LEGS

BODY



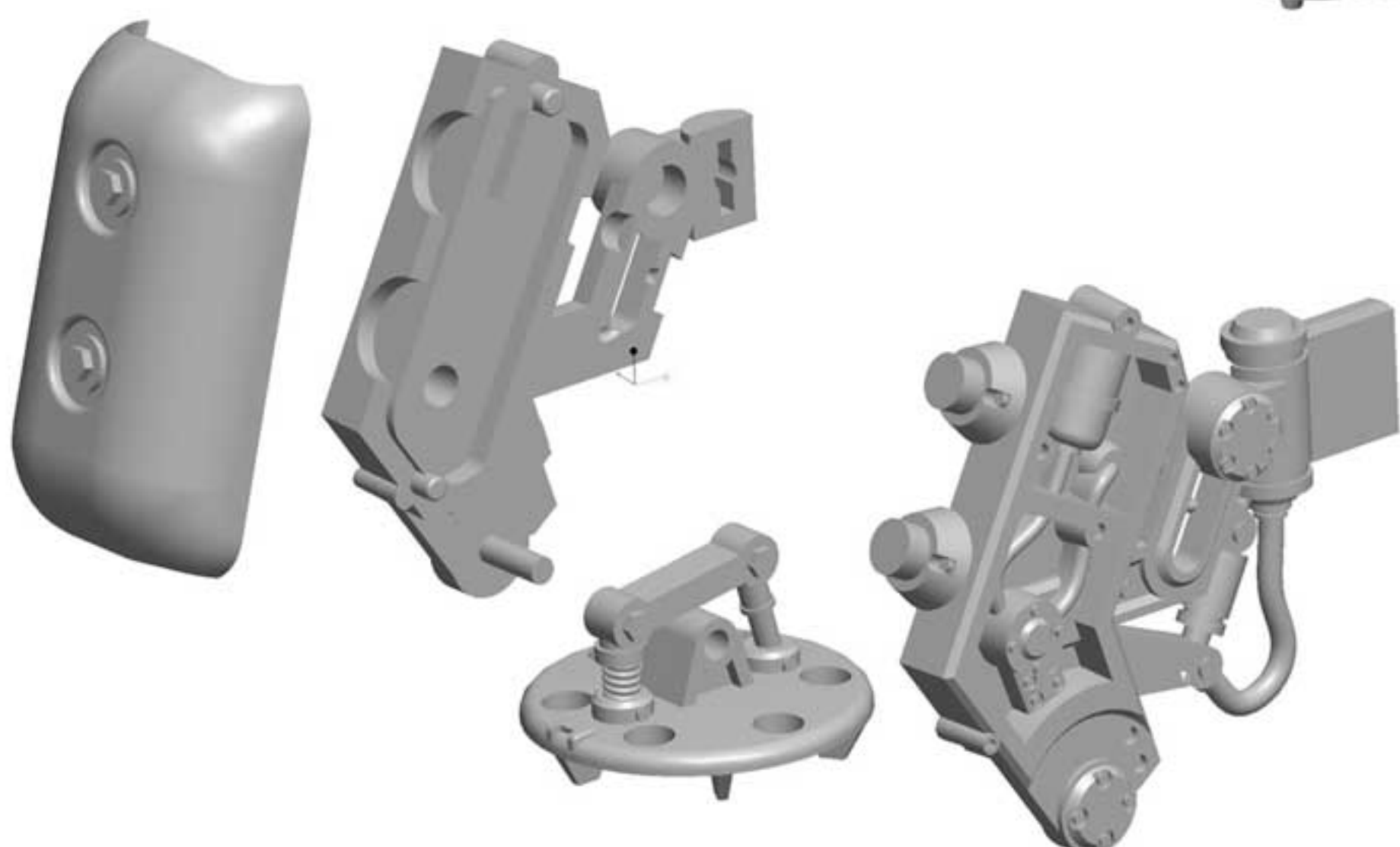
BACK BOX



HIPS



BACK LEG X2



FRONT LEG X2

